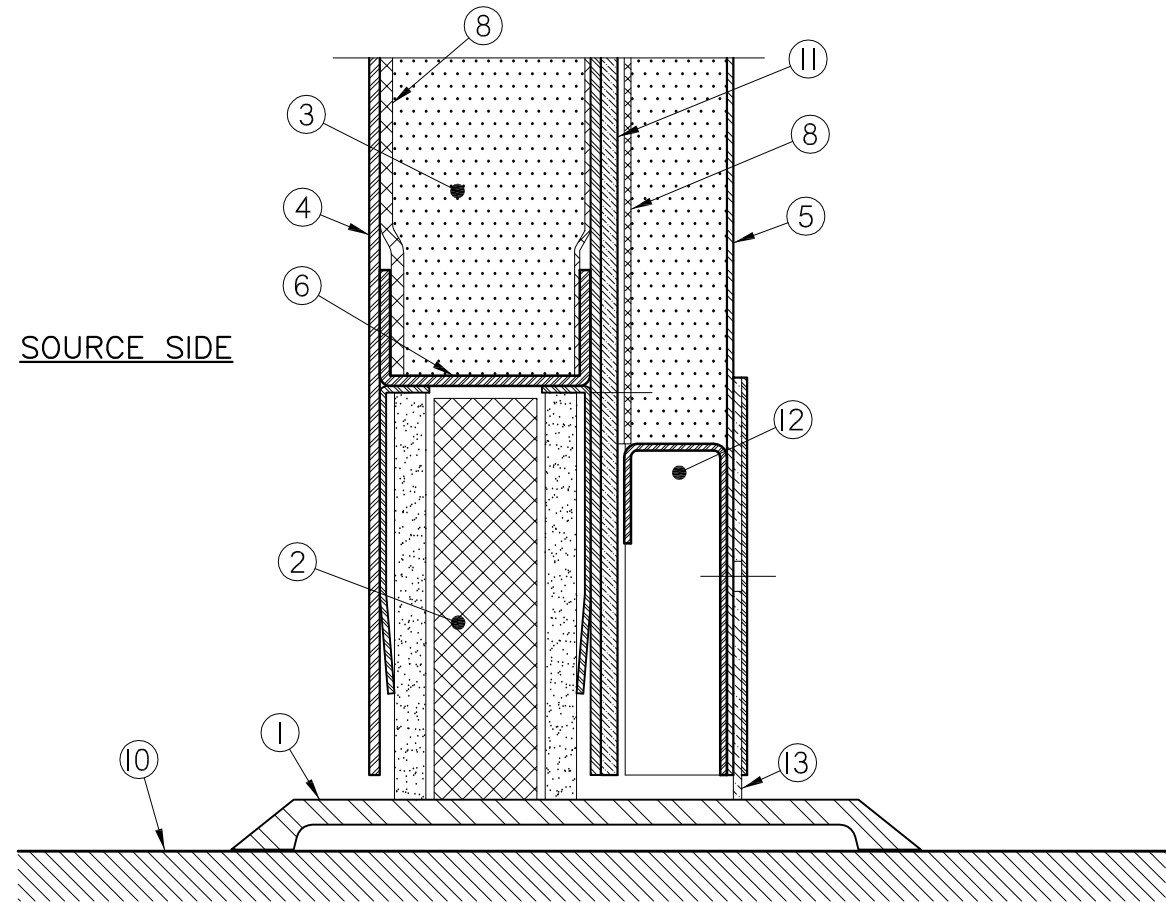


LEGEND:

1. 1/4" HIGH FLAT ACOUSTIC THRESHOLD 5" WIDE x REBATE WIDTH TO BE INSTALLED ON FINISHED FLOOR.
2. ACOUSTIC MORTISED FIXED DOOR BOTTOM ASSEMBLY.
3. ALL VOIDS FILLED WITH SOUND DEADENER.
4. STEEL FRONT PANEL. (SOURCE SIDE)
5. STEEL BACK PANEL. (RECEIVER SIDE)
6. BOTTOM CHANNEL.
7. STEEL STIFFENERS PROVIDED.
8. ACOUSTIC LINING.
9. BOTTOM RETAINER FASTENED TO BOTTOM CHANNEL.
10. FINISHED FLOOR.
11. ACOUSTIC SEPTUM BARRIER.
12. ACOUSTIC MORTISED FIXED DOOR SWEEP ASSEMBLY.
13. ACOUSTIC SURFACE APPLIED SWEEP.



NOTES:

- SECONDARY 1" THK. PANEL IS INSET BY 1" AT THE TOP AND TWO SIDES FROM THE EDGES OF THE 1 3/4" THICK BASE DOOR.
- DOORS TO BE PREPARED FOR CAMLIFT HINGES. HINGES SUPPLIED LOOSE BY AMBICO.
- MINIMUM LOCK BACKSET REQUIRED OF 3 3/4".
- LOCK TO BE CENTERED IN 1 3/4" BASE DOOR.