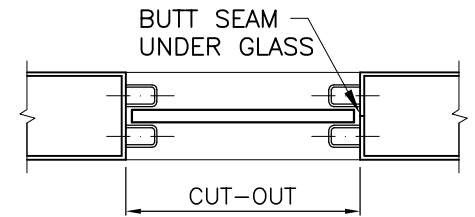
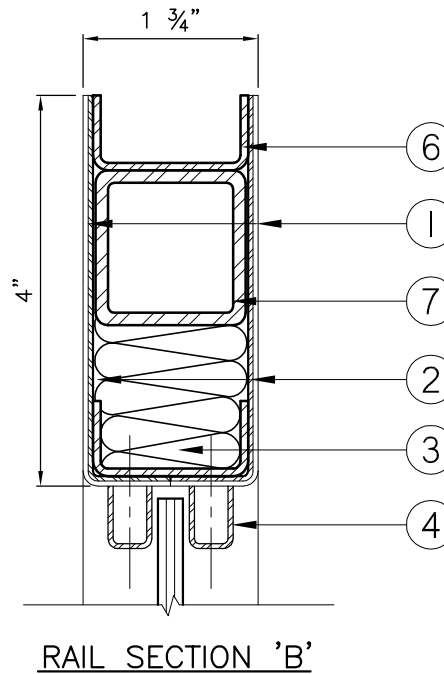
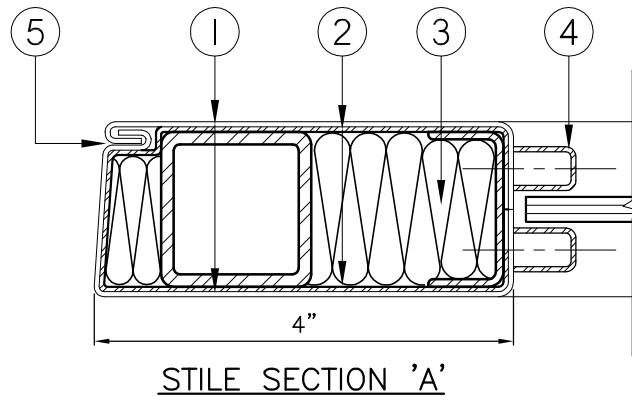


LEGEND:

1. CLADDING MATERIAL AND FINISH SELECTION OVER BASE DOOR STILES AND RAILS BY CUSTOMER.
2. 18 GAUGE GALV. FORMED BASE DOOR STILES AND RAILS.
3. FILL ALL VOIDS WITH BATT INSULATION.
4. VISION LITE KIT FACTORY INSTALLED IN DOOR TO SUIT GLASS THICKNESS.
5. FORMED VISIBLE LOCKSEAM DOOR EDGES.
6. INVERTED TOP AND BOTTOM END CHANNELS.
7. STRUCTURAL TUBE OR CHANNEL TO FRAME DOOR AND INTERCONNECT STILES AND RAILS FOR STRUCTURAL STABILITY.



STILE & RAIL STEEL VISION LITE CUTOUT

GLAZING BY: _____
 GLAZING THICKNESS: _____
 SINGLE PANE _____
 MULTIPANE _____
 HARDWARE BY: _____

DOORS SHALL BE TEMPLATED AND REINFORCED FOR HARDWARE AS REQUIRED. ALL DRILLING AND TAPPING FOR SURFACE MOUNTED HARDWARE IS BY THE HARDWARE INSTALLERS. STAINLESS STEEL DOORS SHALL HAVE STAINLESS STEEL REINFORCING.

DOORS SHALL BE:

- GA. STILES AND RAILS, FIBREGLASS INSULATED

FINISH SHALL BE:

- CLADDING - _____(SELECT)
- FINISH - _____(SELECT)
- FLUSH CLOSED TOP
- FLUSH CLOSED BOTTOM

NOTE:

HOLLOW METAL DOOR UNDERCUT IS 3/4". ARCHITECT & GENERAL CONTRACTOR TO ADVISE ANY OPENINGS WHERE ADDITIONAL UNDERCUT REQUIRED.



AMBICO CLAD STILE & RAIL STEEL DOORS

JOB NO: _____

SHEET: 1 OF 1