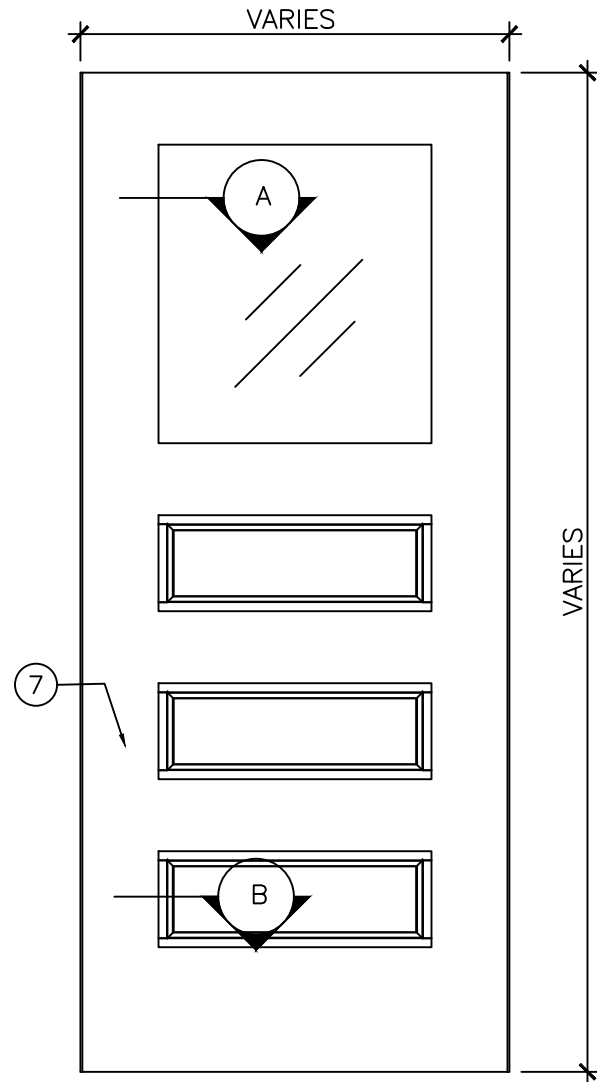
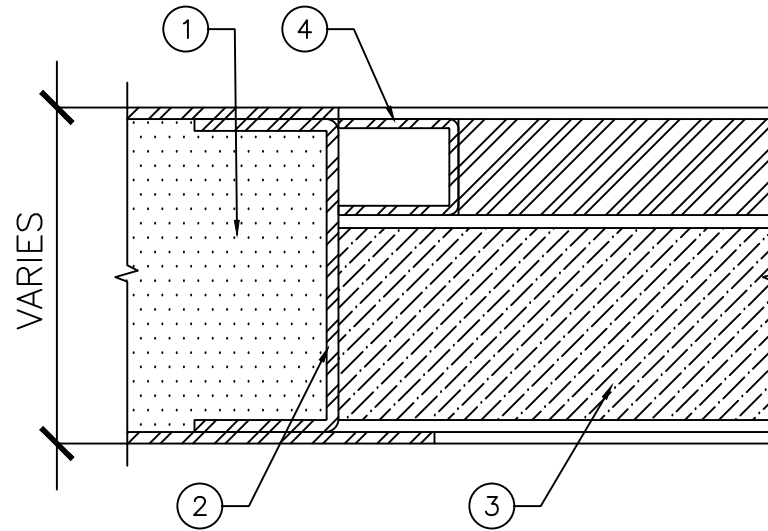


- LEGEND:
1. FIBERGLASS INSULATED DOOR CORE AND RECESSED PANEL CORE.
 2. CHANNEL REINFORCING AROUND LITE KIT CUTOUT.
 3. MAXIMUM 15/16" THICK GLASS.
 4. GLAZING BEADS ON BACK SIDE..
 5. FORMED RECESSED PANEL.
 6. VERTICAL STIFFENERS AROUND RECESSED PANEL.
 7. STANDARD 6" STILES AND RAILS.

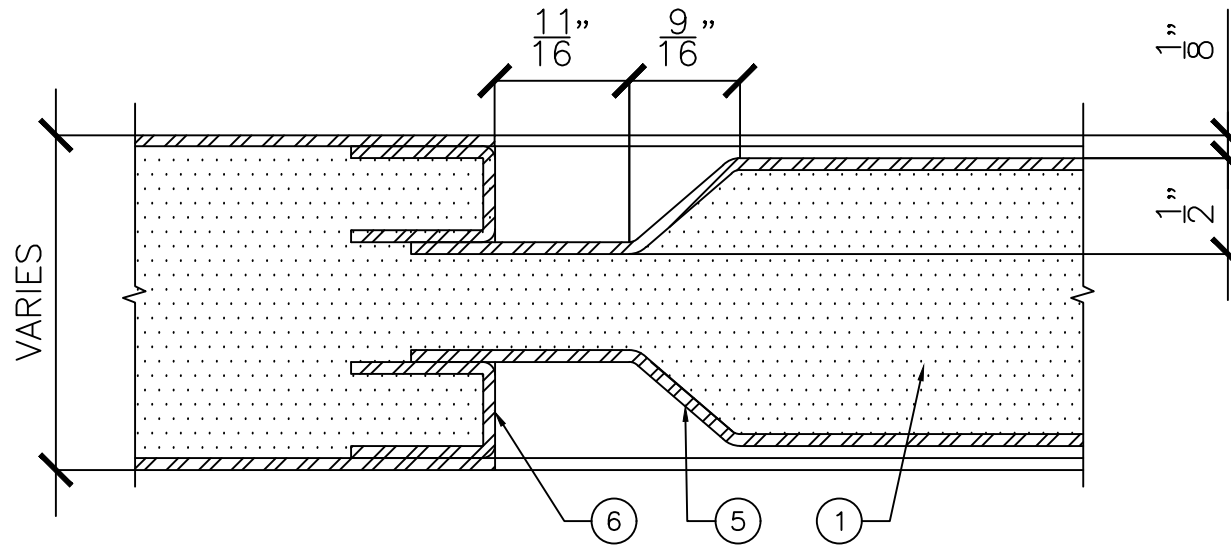


SIZES SHOWN REFER TO DOOR CUTOUT SIZES.

ELEVATION
3/4" = 1'-0"



SECTION "A"
1"-0" = 1'-0"



SECTION "B"
1"-0" = 1'-0"



DRAWING TITLE:
THREE RECESSED PANEL DOOR WITH LITE KIT

DATE:	MARCH 22, 2017
DRAWN BY:	TWB
REVISION:	0