

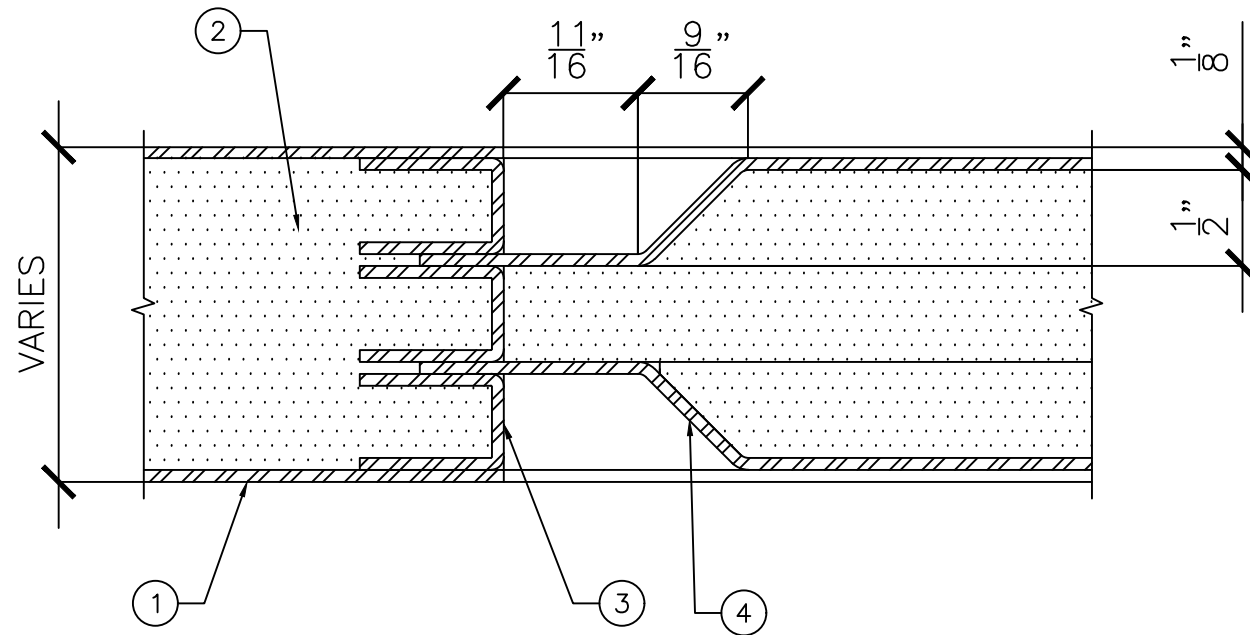
SIZES SHOWN REFER TO
DOOR CUTOUT SIZES.

ELEVATION

3/4" = 1'-0"

LEGEND:

1. HOLLOW METAL DOOR.
2. FIBERGLASS INSULATED DOOR CORE.
3. REINFORCING AROUND ENTIRE PERIMETER OF THE RECESSED PANEL CUTOUT.
4. FORMED RECESSED PANEL.
5. STANDARD 6" STILES AND RAILS.



SECTION "A"

1"-0" = 1'-0"



DRAWING TITLE:

SIX RECESSED PANEL HOLLOW METAL DOOR

DATE: MARCH 3, 2017

DRAWN BY: TWB

REVISION: 0