

ELEVATION

1/2" = 1'-0"

SLIDE LEFT TO OPEN SHOWN

NOTES:

VALANCE COVER NOT SHOWN IN ELEVATION

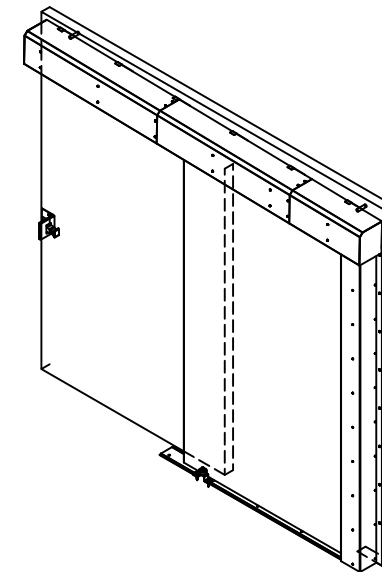
SLIDING ACOUSTIC DOOR COMES WITH,

- TRACK ASSEMBLY, TRACK BRACKETS, DOOR HANGERS AND WHEEL ASSEMBLIES
- TRACK VALANCE COVER ASSEMBLY,
- LEADING, FOLLOWING AND TOP OF WALL ACOUSTIC SEAL ASSEMBLIES,
- DOOR STOP & HOLD OPEN, STAY ROLLER CASTER WHEELS, STAINLESS STEEL THRESHOLD, ANCHOR BOLTS AND FASTENERS

CLEAR WALL REQUIREMENTS:

THE NUMBER OF TRACK BRACKETS AND THE TRACK LENGTHS ARE APPROXIMATE AND DEPEND ON THE SIZE OF THE ROUGH OPENING. PLEASE CONSULT AMBICO FOR EXACT SLIDING DOOR DETAILS

ANGLED TRACK ALLOWS THE DOOR TO REMAIN IN THE CLOSED POSITION AND ENGAGE THE ACOUSTIC SEAL ASSEMBLIES



ISOMETRIC VIEW

NOT TO SCALE



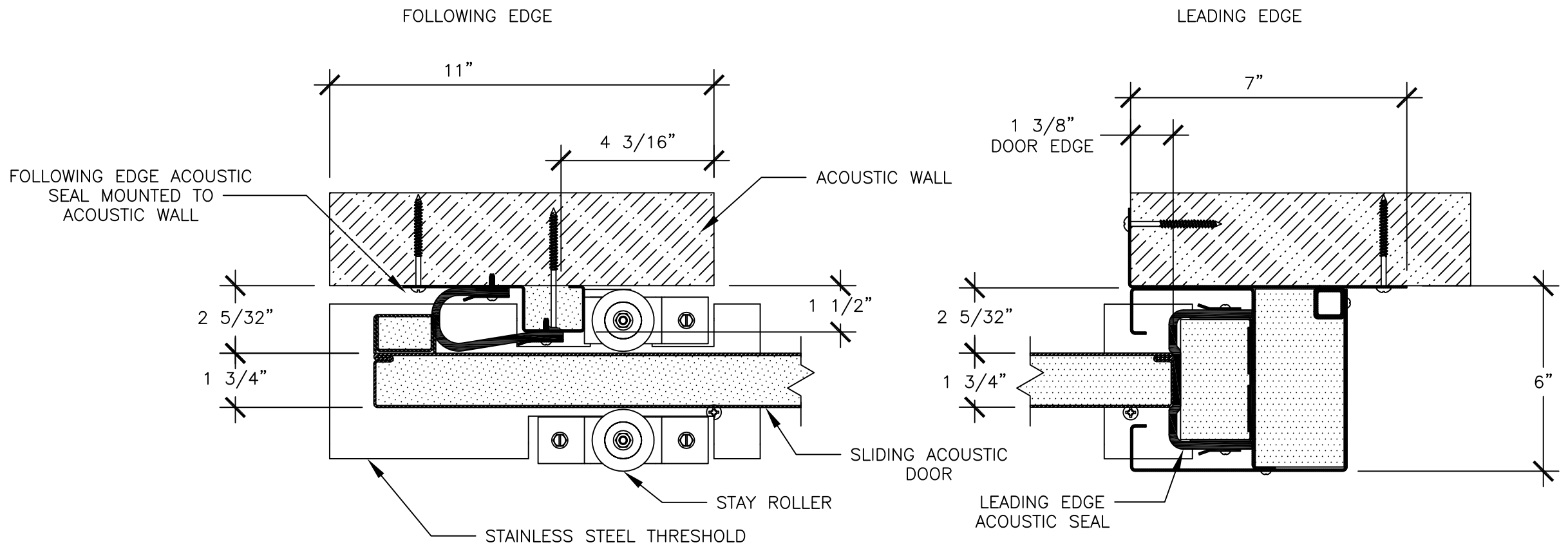
DRAWING TITLE:

**TYPICAL SLIDING ACOUSTIC DOOR
UP TO STC 50**

DATE: 03/24/2021

DRAWN BY: ASC

REVISION: 2



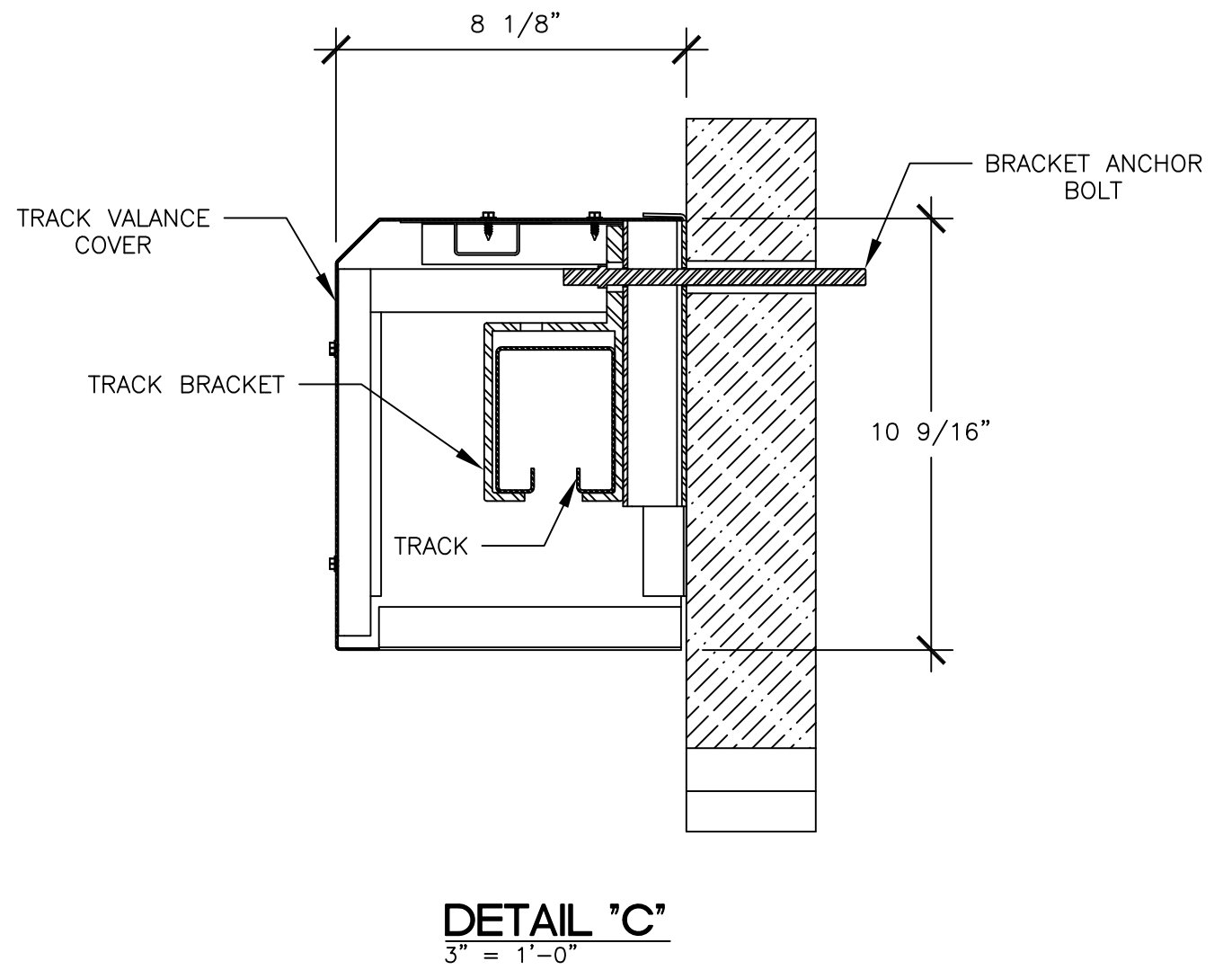
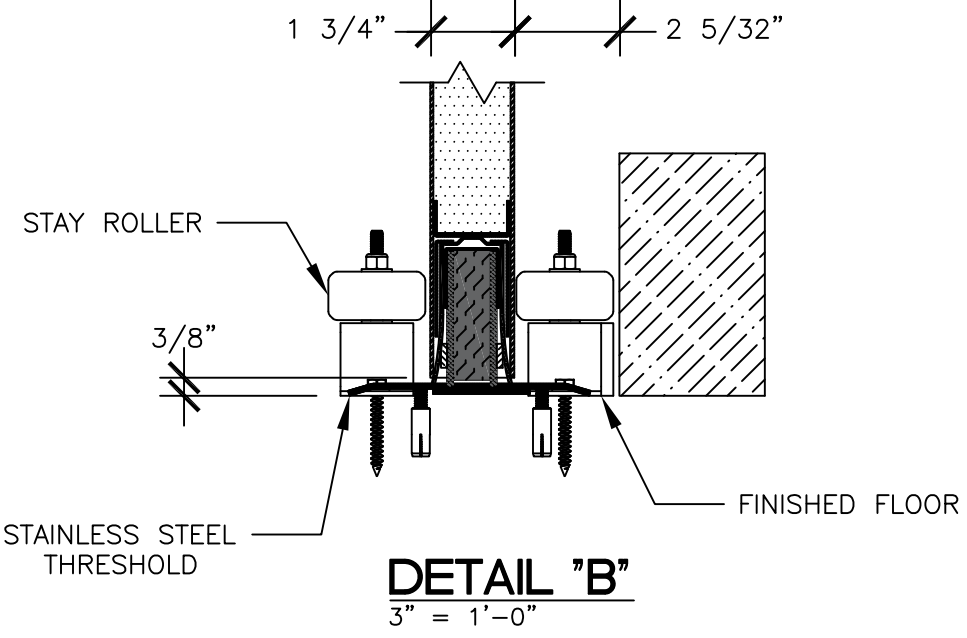
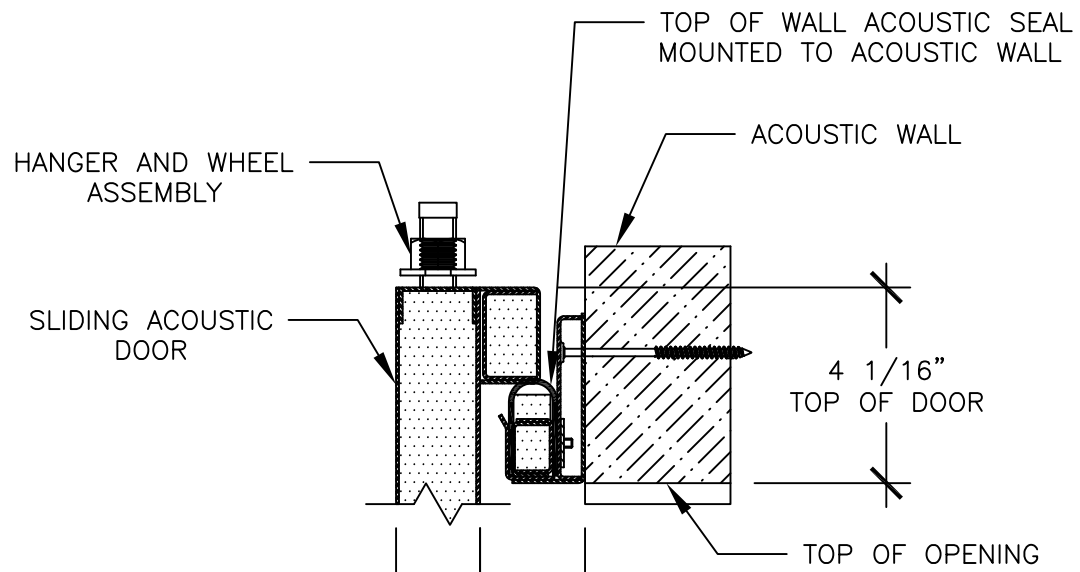
PULL TO OPEN
←

DETAIL "A"
3" = 1'-0"



DRAWING TITLE:
**TYPICAL SLIDING ACOUSTIC DOOR
UP TO STC 50**

DATE:	03/24/2021
DRAWN BY:	ASC
REVISION:	2



DRAWING TITLE:
**TYPICAL SLIDING ACOUSTIC DOOR
 UP TO STC 50**

DATE:	03/24/2021
DRAWN BY:	ASC
REVISION:	2