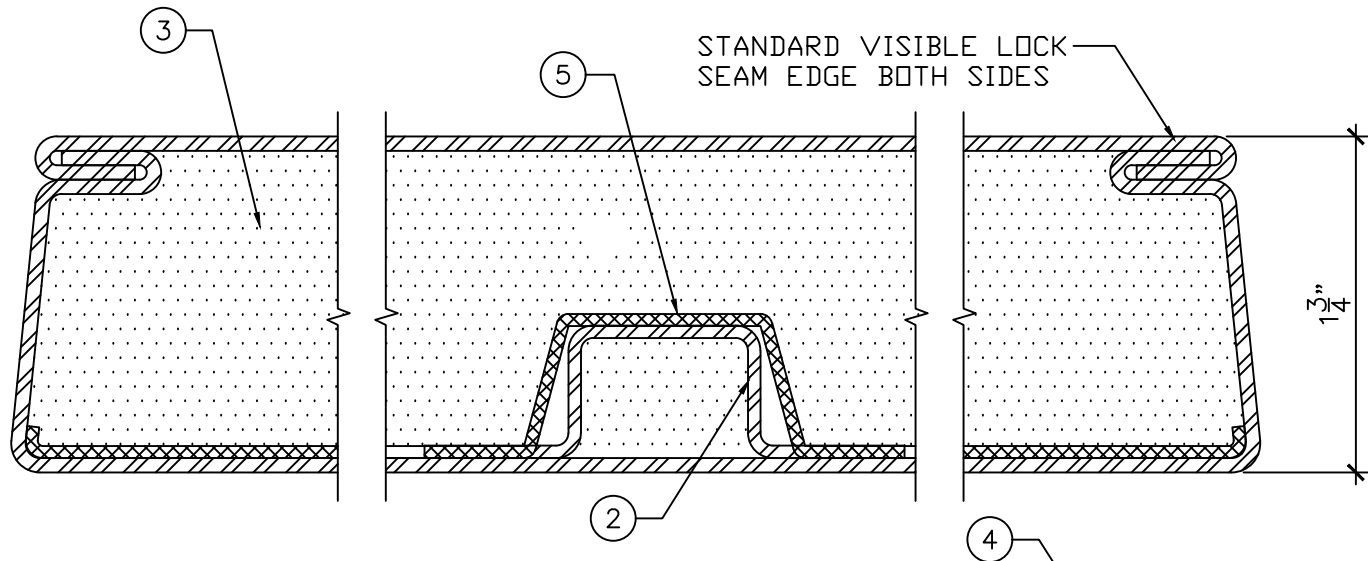
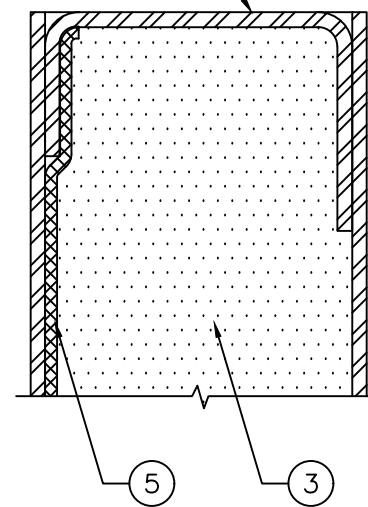


**ELEVATION**  
3/4" = 1'-0"

- LEGEND:
1. HOLLOW METAL DOOR.
  2. STEEL-STIFFENED CORE.
  3. FIBERGLASS INSULATION.
  4. STANDARD FLUSH TOP & BOTTOM CHANNELS.
  5. LEAD LINING.



**SECTION "A"**  
1'-0" = 1'-0"



**SECTION "B"**  
1'-0" = 1'-0"



DRAWING TITLE:  
**LEAD LINED DOOR**

DATE:	MARCH 22, 2017
DRAWN BY:	TWB
REVISION:	0