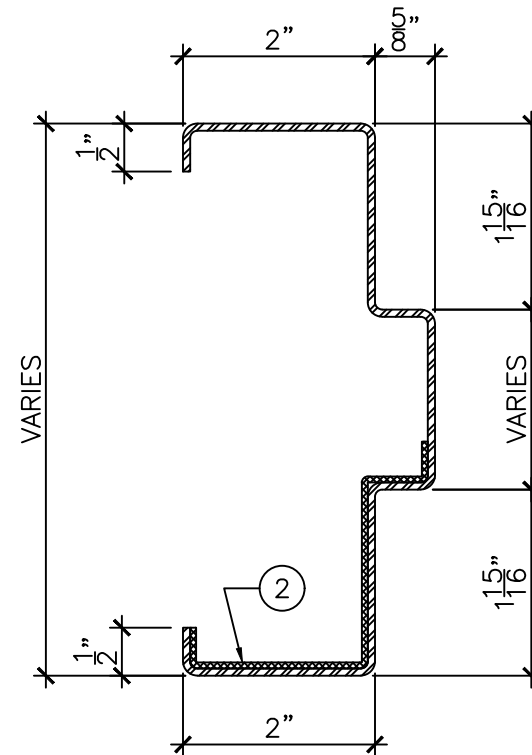
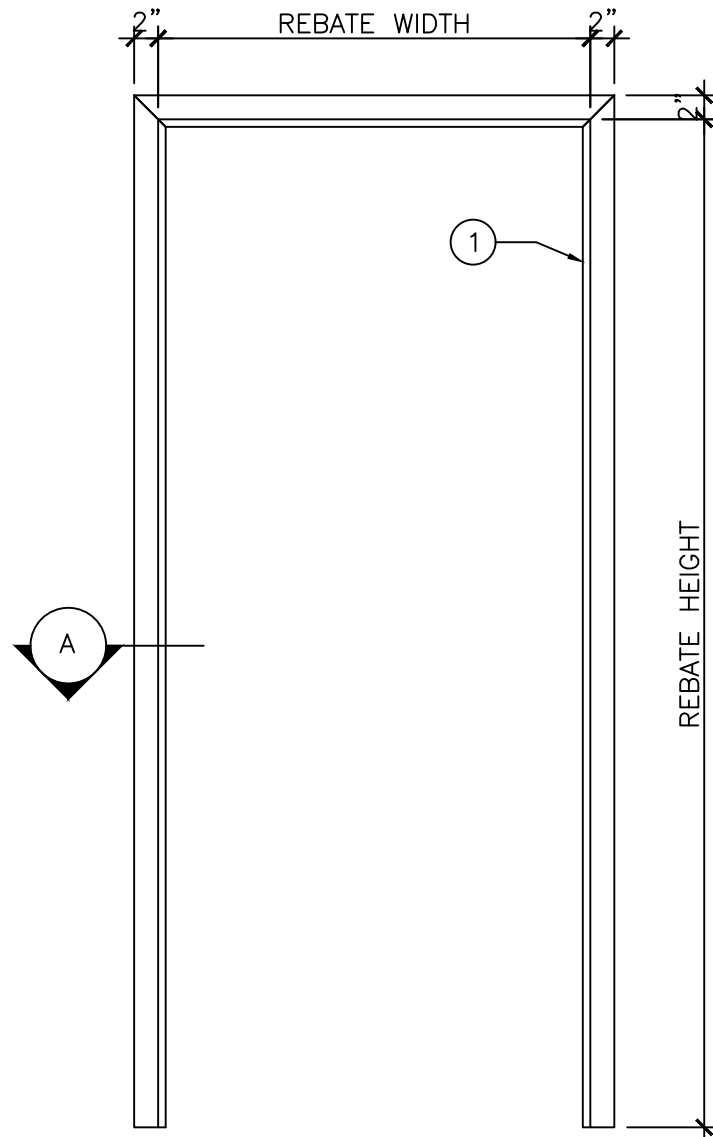
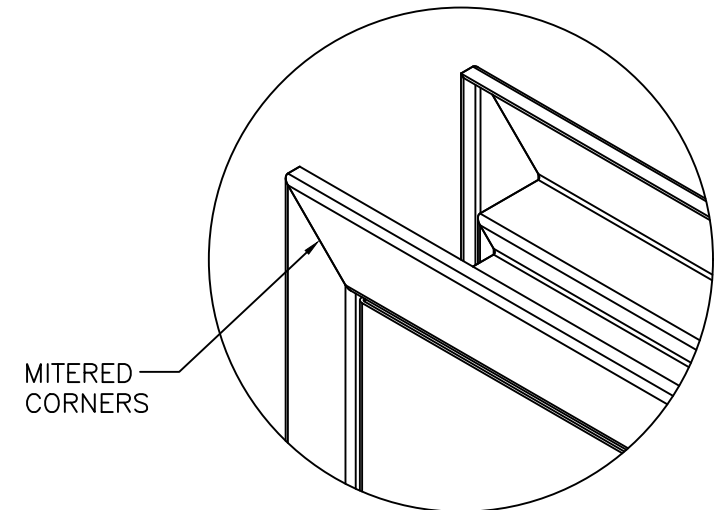


- LEGEND:
 1. FULLY WELDED STEEL FRAME.
 2. LEAD LINING WRAPS JAMBS AND HEADER.



DETAIL "A"
 6" = 1'-0"



ELEVATION
 3/4" = 1'-0"



DRAWING TITLE:
LEAD LINED FRAME

DATE:	MARCH 22, 2017
DRAWN BY:	TWB
REVISION:	0