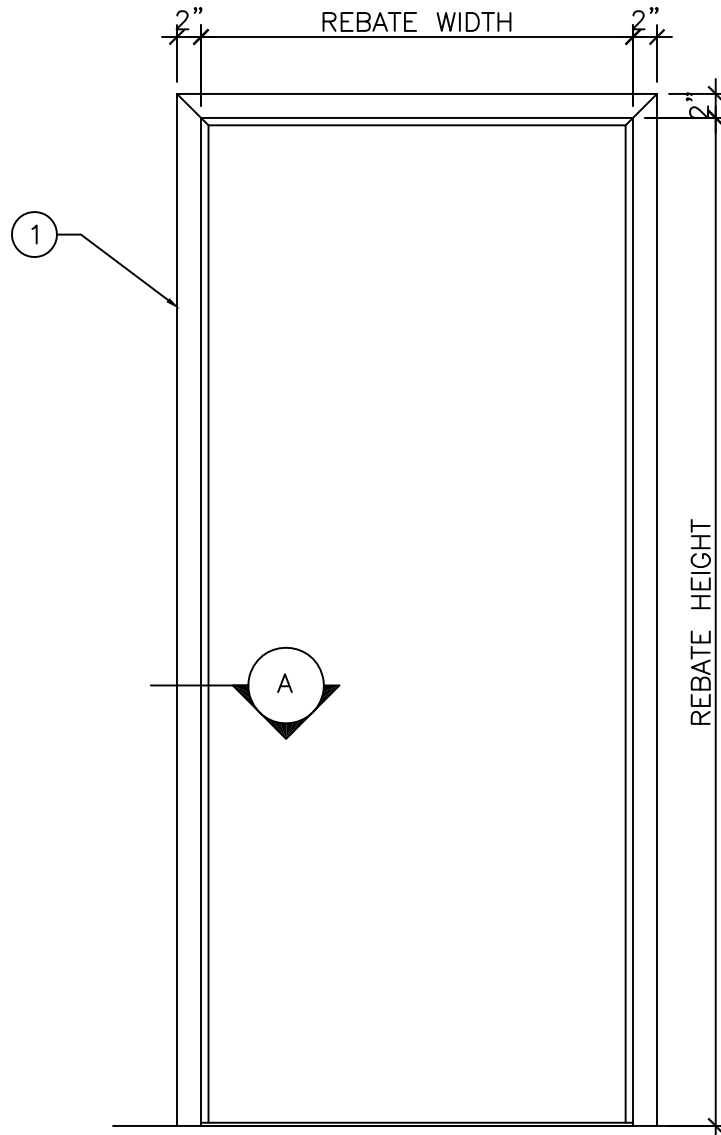


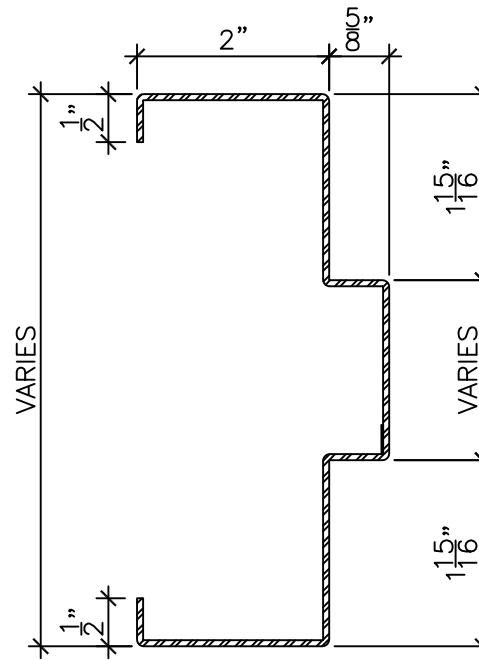
LEGEND:

1. PRESSED STEEL FULLY WELDED BULLET RESISTANT FRAME TO UL752 LEVEL 1-3



ELEVATION

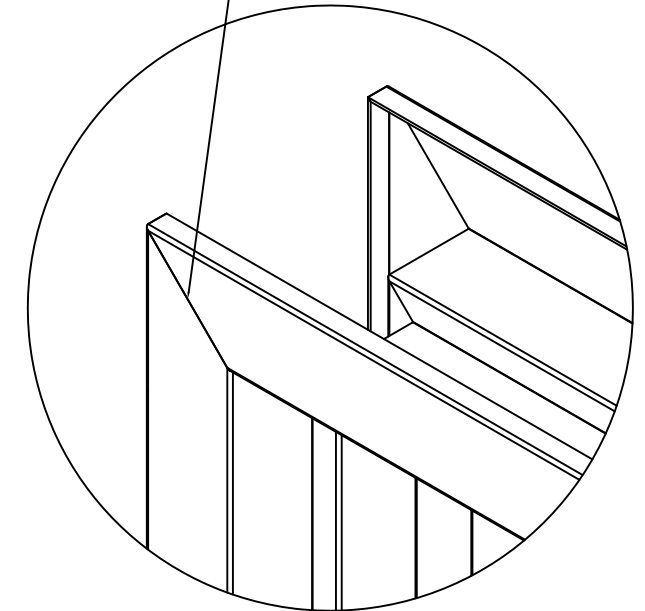
3/4" = 1'-0"



DETAIL "A"

6" = 1'-0"

FULLY WELDED CORNERS



DETAIL "B"

3" = 1'-0"



DRAWING TITLE:

BULLET RESISTANT STEEL FRAME FOR STEEL AND WOOD DOORS TO UL 752 LEVEL 1-3 - NON FIRE RATED

DATE: 2020/05/20

DRAWN BY: ASC

REVISION: 3