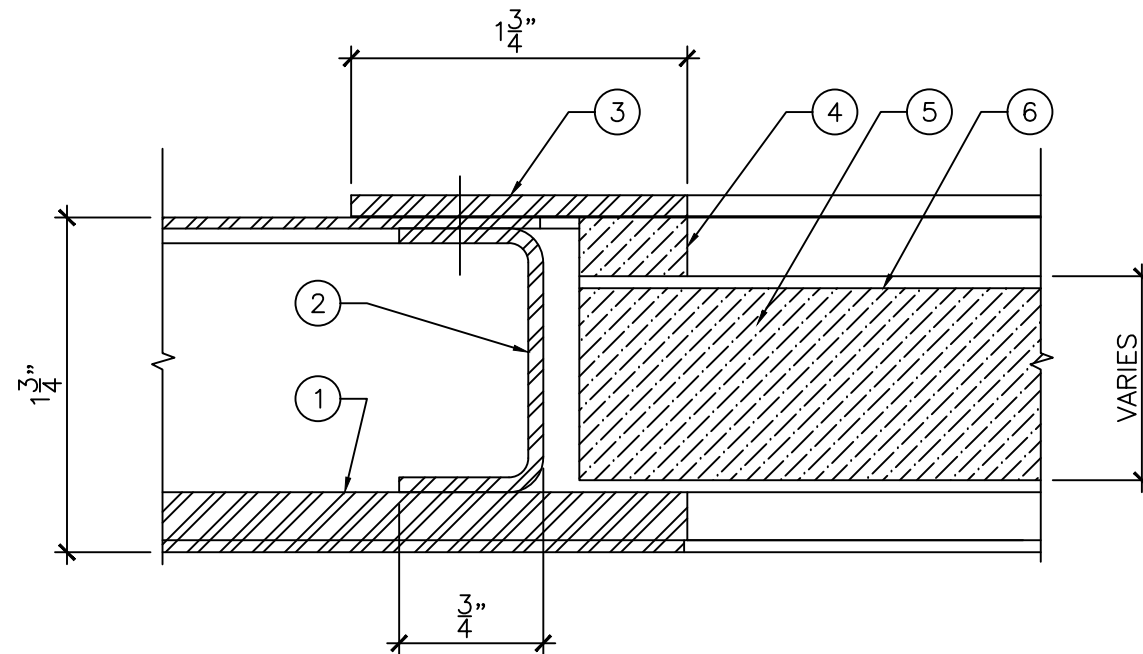


ELEVATION

3/4" = 1'-0"

LEGEND:

1. ARMOUR SHIELD PLATE TO UL 752 LEVEL 1-8.
2. STANDARD RECESSED VISION CHANNELS.
3. MITERED REMOVABLE GLAZING STOPS.
4. PLASTIC SHIM TO SUIT GLASS THICKNESS.
5. ARMOUR SHIELD GLASS TO UL 752 LEVEL 1-8, UP TO 1 1/4" THICK.
6. NO SPALL FILM POSITIONING:
 - FOR RH/LH - SAME SIDE AS ARMOUR PLATE
 - FOR LHR/RHR OPPOSITE SIDE AS ARMOUR PLATE.



SECTION "A"

1"-0" = 1'-0"



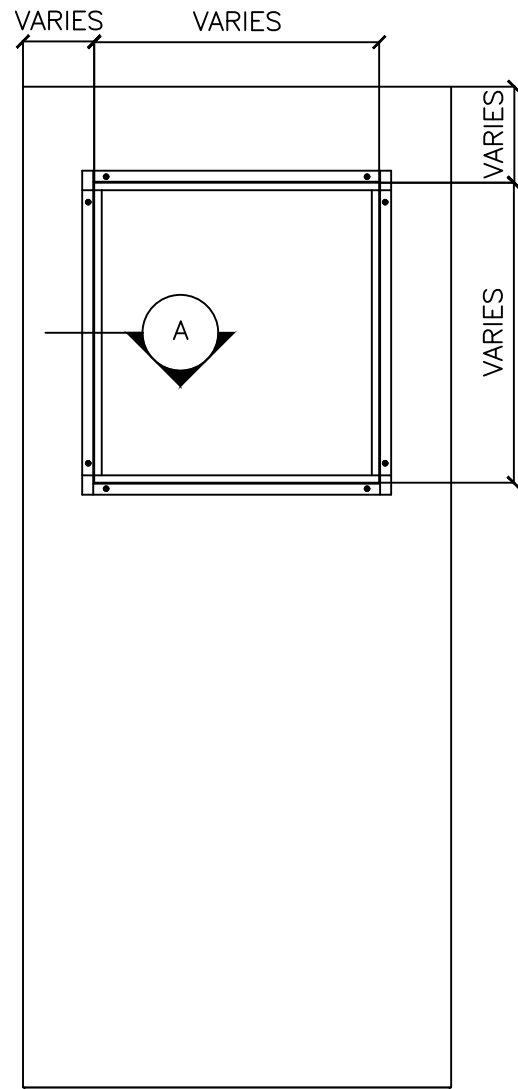
DRAWING TITLE:

BULLET LITE KIT TO UL 752 LEVEL 1-8 FOR GLASS UP TO 1 1/4" THICK

DATE: MARCH 6, 2017

DRAWN BY: TWB

REVISION: 0

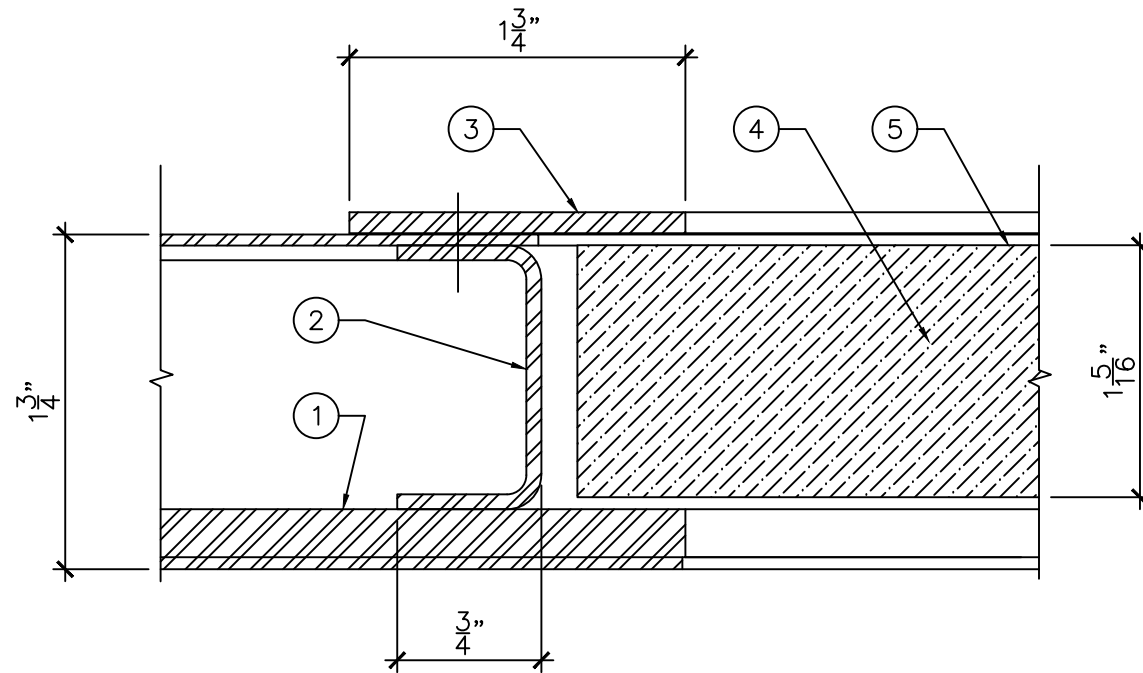


ELEVATION

3/4" = 1'-0"

LEGEND:

1. ARMOUR SHIELD PLATE TO UL 752 LEVEL 1-8.
2. STANDARD RECESSED VISION CHANNELS.
3. MITERED REMOVABLE GLAZING STOPS.
4. ARMOUR SHIELD GLASS TO UL 752 LEVEL 1-8, 1 5/16" THICK.
5. NO SPALL FILM POSITIONING:
 - FOR RH/LH - SAME SIDE AS ARMOUR PLATE
 - FOR LHR/RHR OPPOSITE SIDE AS ARMOUR PLATE.



SECTION "A"

1"-0" = 1'-0"



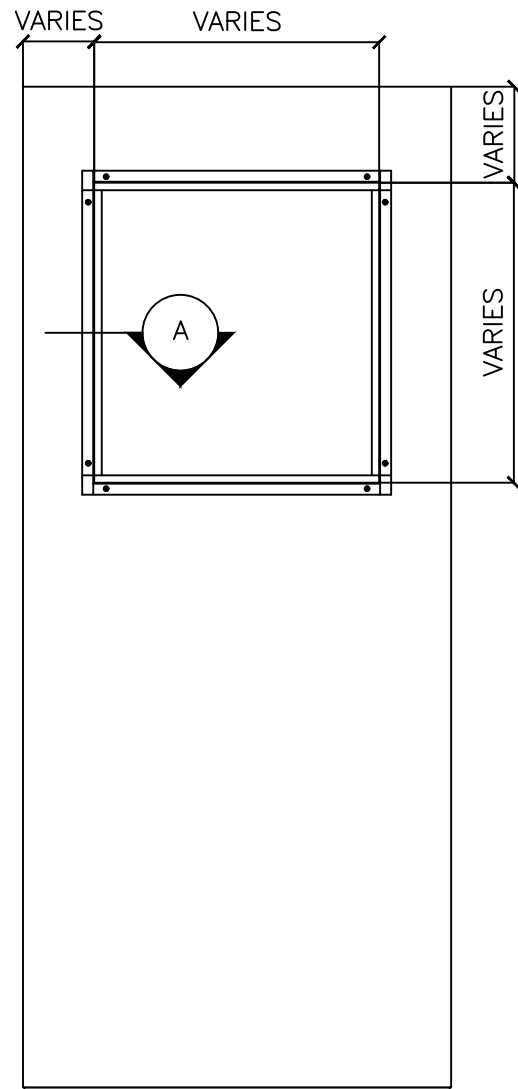
DRAWING TITLE:

BULLET LITE KIT TO UL 752 LEVEL 1-8 FOR GLASS 1 5/16" THICK

DATE: MARCH 6, 2017

DRAWN BY: TWB

REVISION: 0

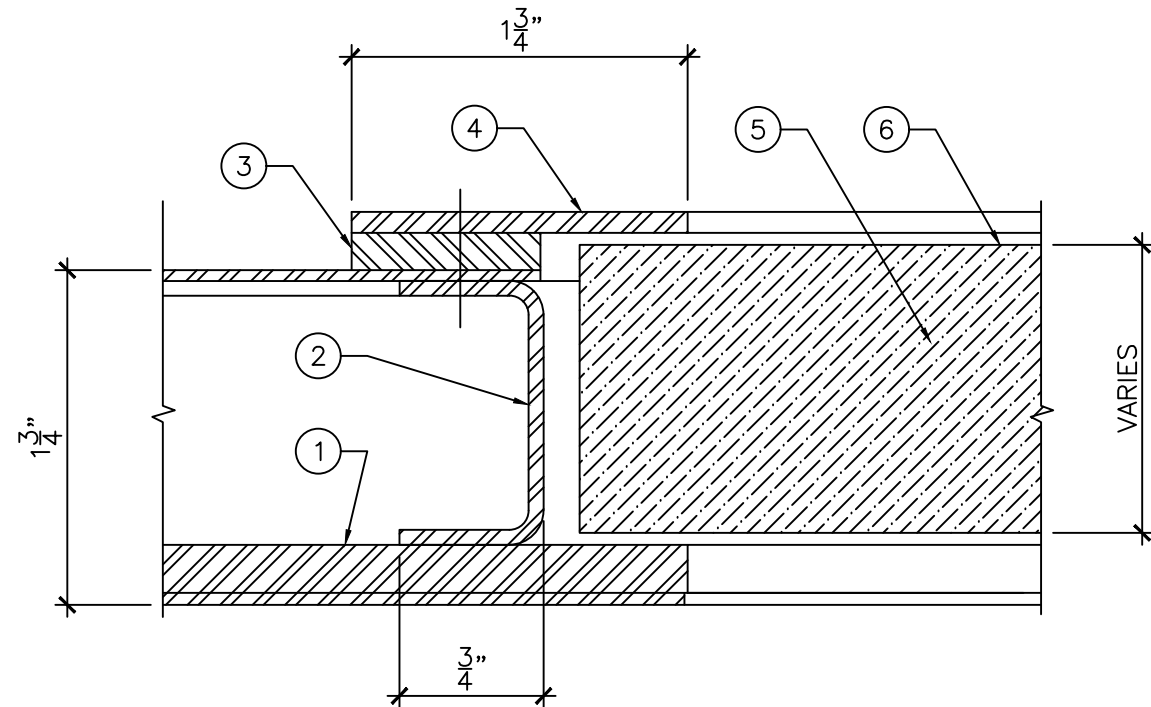


ELEVATION

3/4" = 1'-0"

LEGEND:

1. ARMOUR SHIELD PLATE TO UL 752 LEVEL 1-8.
2. STANDARD RECESSED VISION CHANNELS.
3. STEEL SPACER TO SUIT GLASS THICKNESS.
4. MITERED REMOVABLE GLAZING STOPS.
5. ARMOUR SHIELD GLASS TO UL 752 LEVEL 1-8, 1 3/8" THICK AND ABOVE.
6. NO SPALL FILM POSITIONING:
 - FOR RH/LH - SAME SIDE AS ARMOUR PLATE
 - FOR LHR/RHR OPPOSITE SIDE AS ARMOUR PLATE.



SECTION "A"

1"-0" = 1'-0"



DRAWING TITLE:

BULLET LITE KIT TO UL 752 LEVEL 1-8 FOR GLASS 1 3/8" THICK AND ABOVE

DATE: MARCH 6, 2017

DRAWN BY: TWB

REVISION: 0