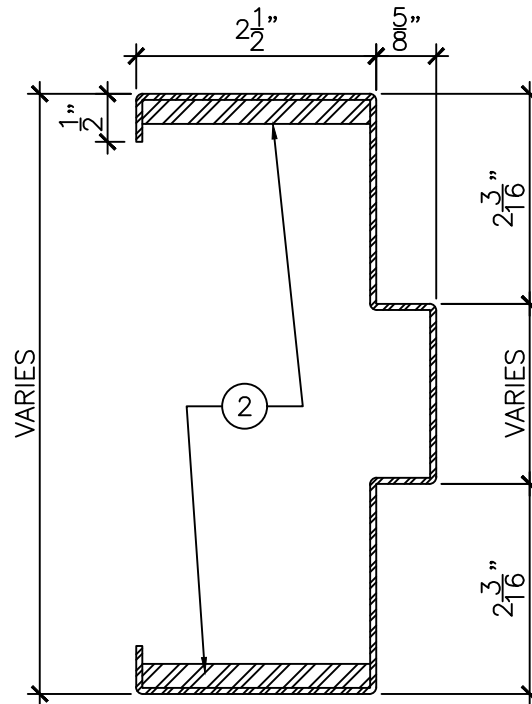


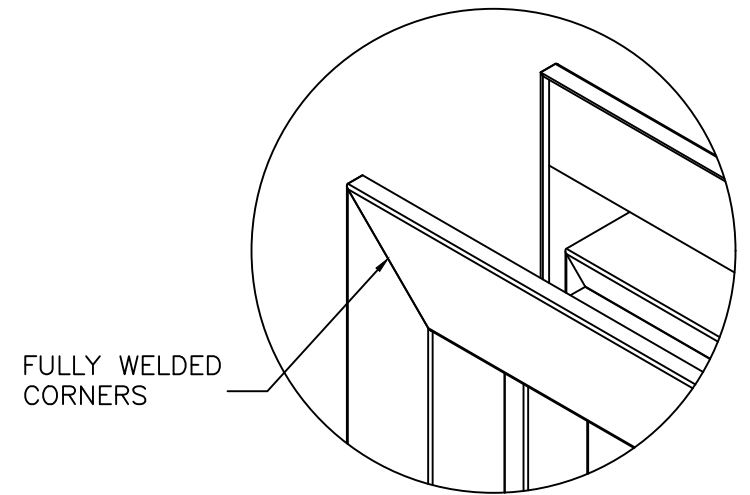
ELEVATION
3/4" = 1'-0"



DETAIL "A"
6" = 1'-0"

LEGEND:

1. PRESSED STEEL FULLY WELDED BULLET RESISTANT FRAME PREPPED FOR SURFACE HINGES SUPPLIED LOOSE BY AMBICO.
2. STEEL PLATE TO UL752 LEVEL 9-10.



FULLY WELDED CORNERS

DETAIL "B"
6" = 1'-0"



DRAWING TITLE:
BULLET RESISTANT STEEL FRAME TO UL 752 LEVEL 9-10

DATE:	MARCH 6, 2017
DRAWN BY:	TWB
REVISION:	0