

PRODUCTS STANDARDS:

ALL DOORS SHALL BE TEMPLATED, REINFORCED AND DRILLED & TAPPED FOR MORTISED HARDWARE. DOORS TEMPLATED FOR PIVOTS WILL BE SUPPLIED WITH BLANK TOP AND BOTTOM REINFORCING PLATES FOR SITE DRILLING AND TAPPING BY DOOR INSTALLER. DRILLING & TAPPING FOR SURFACE APPLIED HARDWARE SHALL BE BY OTHERS. ALL GRAINED FINISHES SHALL HAVE GRAIN ALIGNED WITH LONG EDGE OF PART. FINISHED DOORS SHALL HAVE A 1/8" OVER 2" BEVEL ON BOTH EDGES AND A 3/4" UNDERCUT UNLESS OTHERWISE NOTED.

PRODUCTS OPTIONS:

DOOR

STAINLESS STEEL MATERIALS AND FINISHES¹

MATERIALS

- o TYPE 304 STAINLESS
- o TYPE 316 STAINLESS

THICKNESSES

- o 12 GA. o 14 GA.
- o 16 GA. o 18 GA.

CORE

- o HONEYCOMB CORE
- o POLYSTYRENE CORE
- o STEEL STIFFENED WITH FIBERGLASS INSULATION

FINISHES²

- o 2B, NOT PAINTED o #4 o #6 o #7
- o #8 XL BUFF o #8 SUPREME o XL BLEND S o XL SUEDE

CONSTRUCTION DOOR EDGE

- o BUTT SEAM³
- o LOCK SEAM⁴

TOP/BOTTOM

- o OPEN TOP/BOTTOM⁷
- o FLUSH TOP/BOTTOM

¹MATERIALS AND FINISHES ARE TYPICAL. CONSULT AMBICO FOR ADDITIONAL OPTIONS.

²SOME FINISHES MAY NOT BE POSSIBLE BASED ON HARDWARE. CONSULT AMBICO FOR INFORMATION.

³FULLY WELDED FOR STAINLESS STEELS WITH GRAINED FINISHES. MECHANICALLY FASTENED FOR ALL OTHER FINISHES.

⁴NOT AVAILABLE WITH 12 GA. DOOR SKINS.

⁵TYPICAL FOR INTERIOR DOORS. CAN BE FIRE RATED AS FOLLOWS (HARDWARE RESTRICTIONS MAY APPLY):

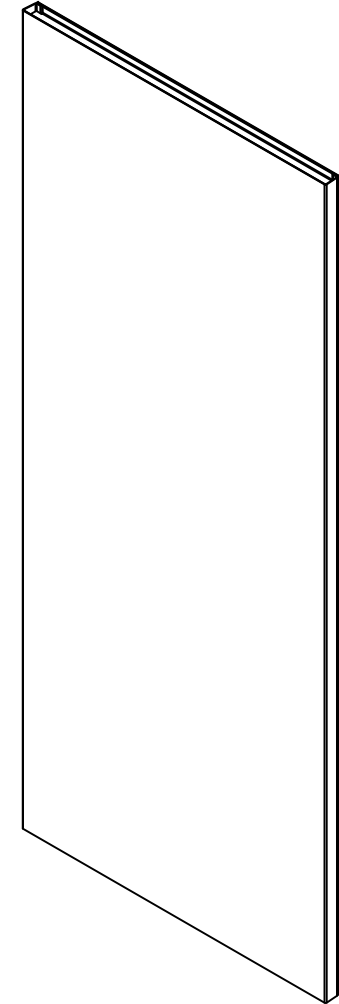
- 3 HRS FOR SINGLES UP TO 4' X 8'.
- 1 1/2 HRS FOR PAIRS UP TO 8' X 8'.

⁶TYPICAL FOR EXTERIOR DOORS. CANNOT BE FIRE RATED.

⁷CAN BE FIRE RATED AS FOLLOWS (HARDWARE RESTRICTIONS MAY APPLY):

- 3 HRS FOR SINGLES UP TO 4' X 8'.
- 1 1/2 HRS FOR PAIRS UP TO 6' X 6'2".

⁸MAY NOT BE AVAILABLE WITH CERTAIN HARDWARE ITEMS.



ISOMETRIC
3/4" = 1'-0"



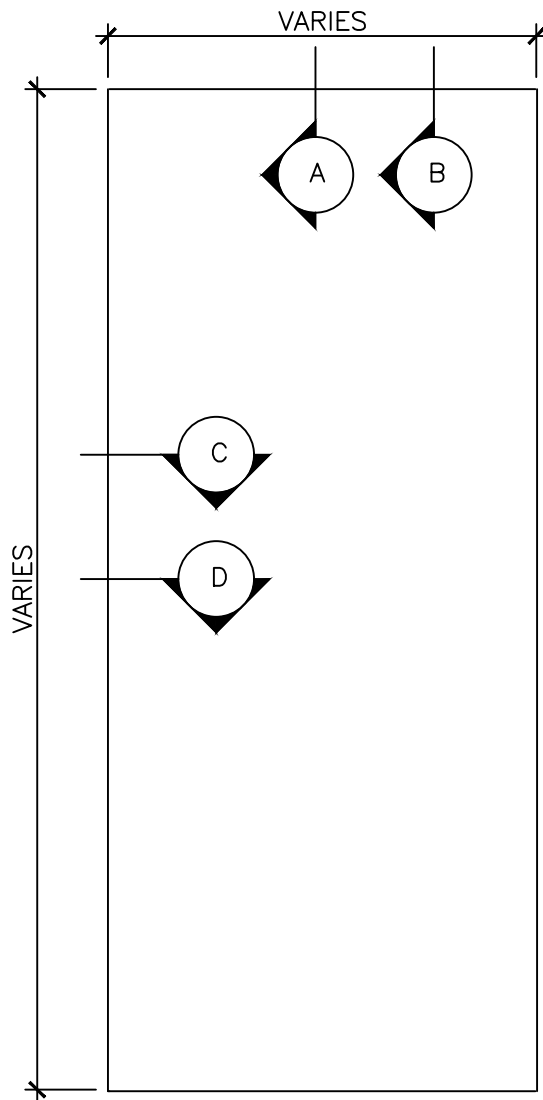
DRAWING TITLE:

STAINLESS STEEL DOOR SPECIFICATION SHEET 1 OF 2

DATE: MARCH 7, 2017

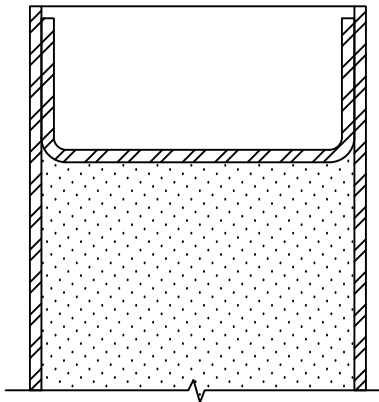
DRAWN BY: TWB

REVISION: 0



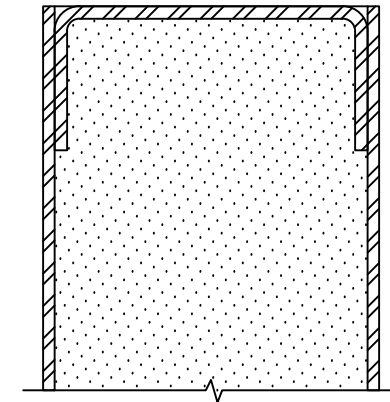
ELEVATION

3/4" = 1'-0"



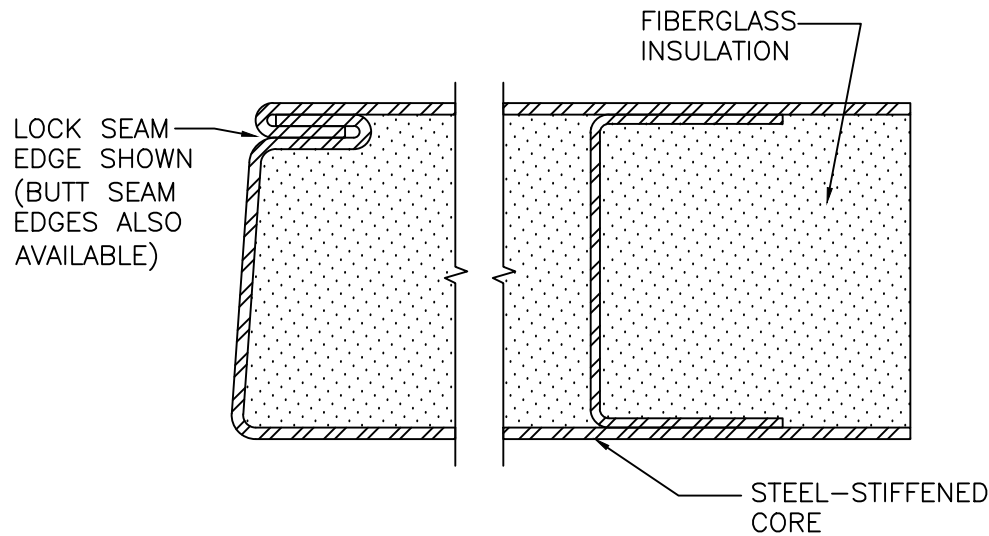
OPEN TOP/BOTTOM DETAIL "A"

1"-0" = 1'-0"



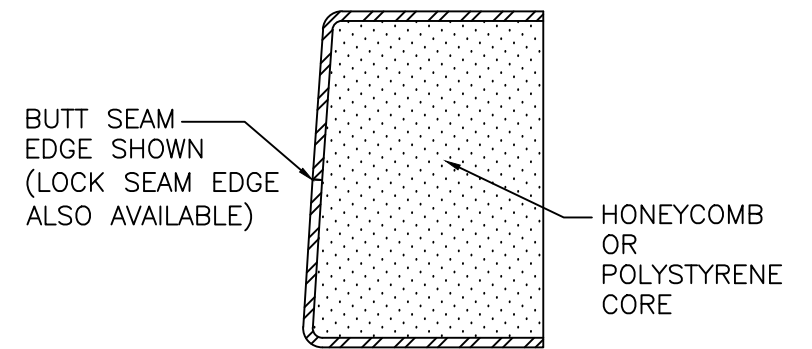
CLOSED TOP/BOTTOM DETAIL "B"

1"-0" = 1'-0"



DETAIL "C"

1"-0" = 1'-0"



DETAIL "D"

1"-0" = 1'-0"



DRAWING TITLE:
STAINLESS STEEL DOOR SPECIFICATION SHEET 2 OF 2

DATE:	MARCH 7, 2017
DRAWN BY:	TWB
REVISION:	0