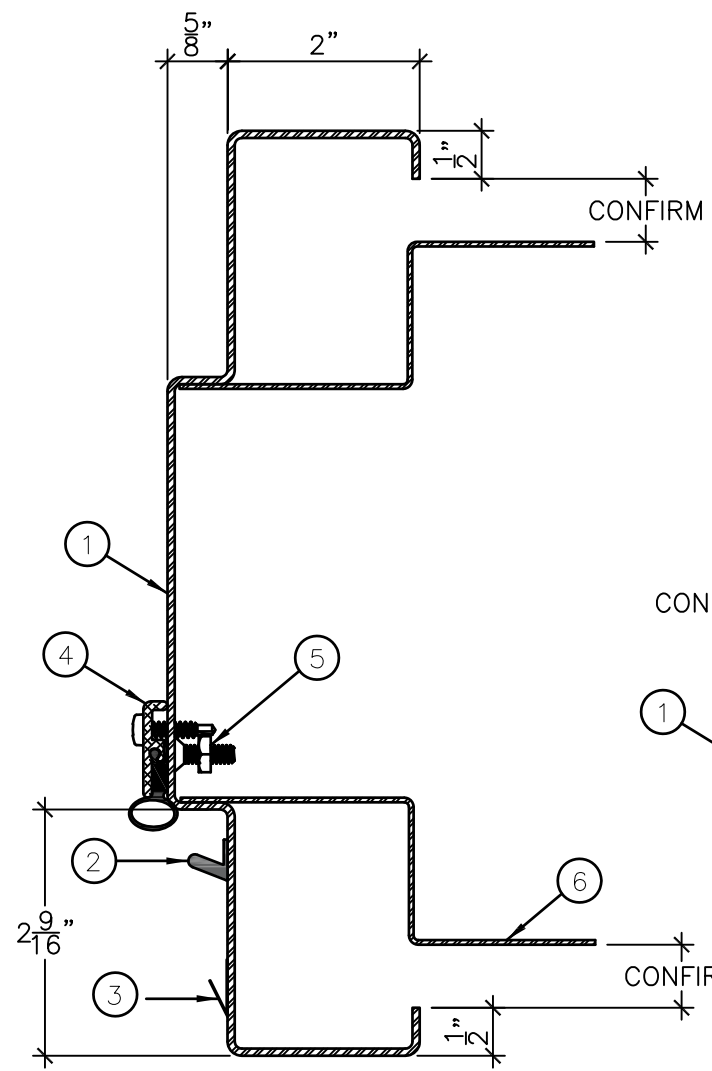


ELEVATION
5/8" = 1'-0"



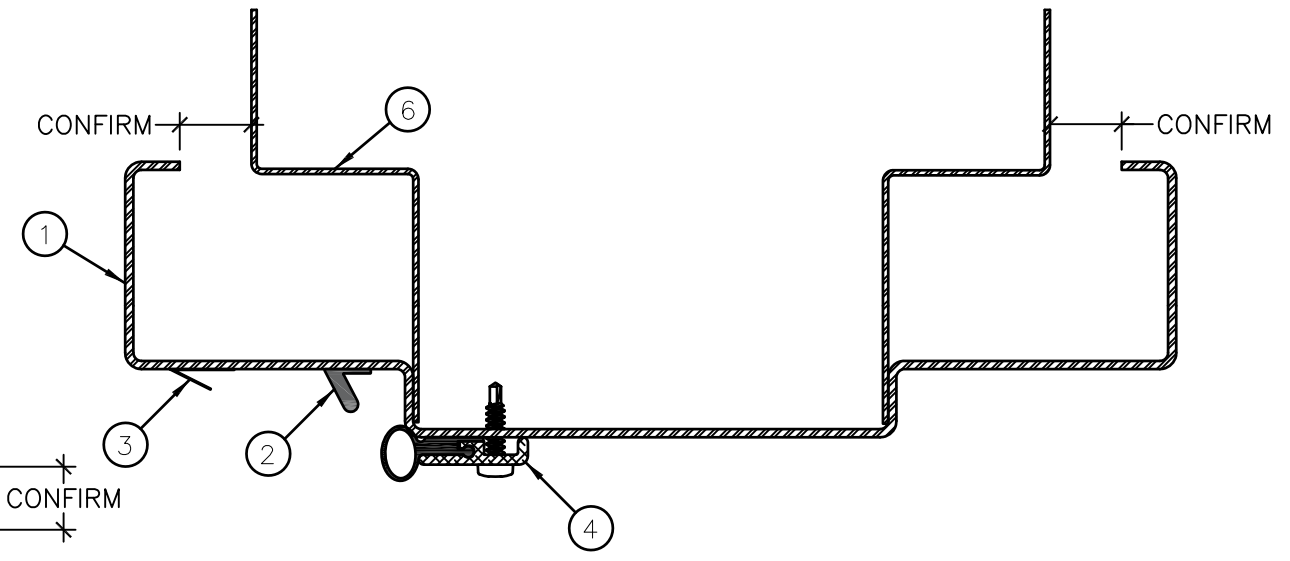
DETAIL "A"
6" = 1'-0"

LEGEND:

1. STAINLESS STEEL FRAME WITH FULLY WELDED MITERED CORNERS TO BE INSTALLED AT TOP LEVEL OF FLOOR COVERING MATERIAL BY INSTALLER.
2. RF FOAM SEAL TO BE FIT AND APPLIED BY INSTALLER ON SITE.
3. ACOUSTIC & RF BRONZE SEAL TO BE FIT AND APPLIED BY INSTALLER ON SITE.
4. ACOUSTIC BULB SEAL TO BE FIT AND FASTENED BY INSTALLER AT SITE.
5. #10 MACHINE SCREW AND NUTS PROVIDED FOR ATTACHMENT OF GROUND WIRE BY INSTALLER ON SITE.
6. RF INTERFACE BRACKET: SIZE, SHAPE AND LOCATION TO BE CUSTOM DESIGNED BASED ON WALL CONDITION.

NOTE:

RF FOIL IN WALL TAPED TO BRACKETS BY INSTALLER. CONFIRM WHICH SIDE IS REQUIRED.



DETAIL "B"
6" = 1'-0"



DRAWING TITLE:
STC50 AND 40 dB RF-SHIELDED FRAME

DATE:	2020/11/09
DRAWN BY:	ASC
REVISION:	1