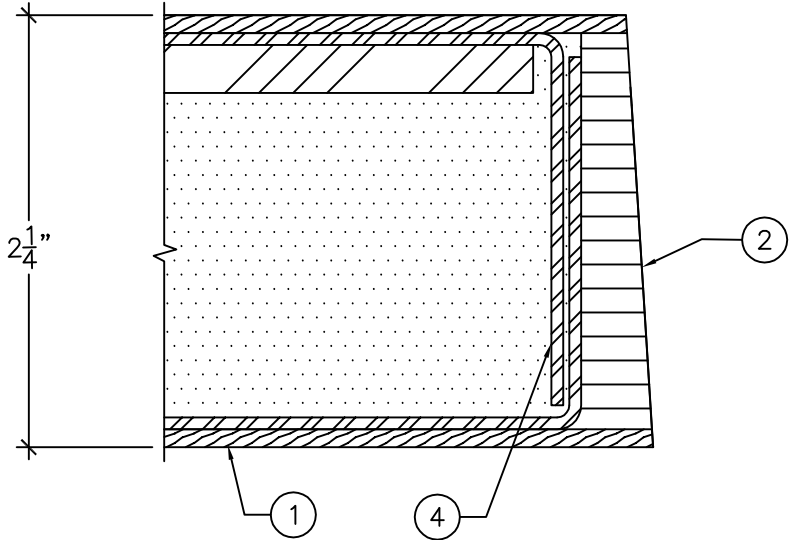


LEGEND:

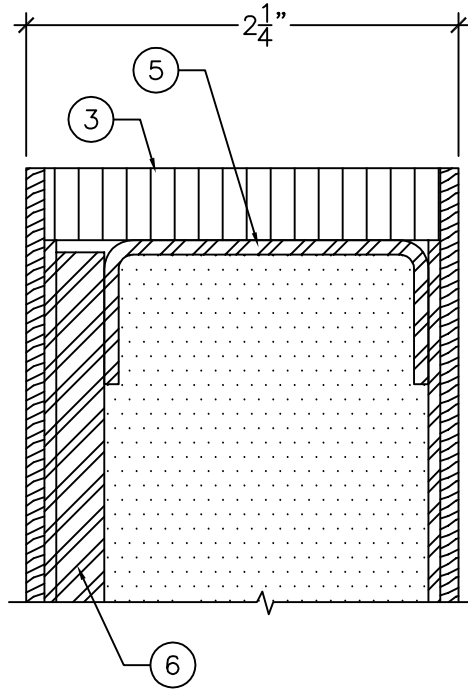
- 1. WOOD VENEER.
- 2. HARDWOOD STILES TO MATCH VENEER
- 3. HARDWOOD TOP RAIL
- 4. INSULATED CORE.
- 5. STEEL TOP AND BOTTOM CHANNELS.
- 6. BULLET PLATE TO UL752 LEVEL 4-8  
 - PLATE WILL BE ON FRONT OR BACK  
 DEPENDING ON SWING AND HARDWARE.



**ELEVATION**  
 $3/4" = 1'-0"$



**SECTION "A"**  
 $1'-0" = 1'-0"$



**SECTION "B"**  
 $1'-0" = 1'-0"$



DRAWING TITLE:  
**BULLET RESISTANT WOOD DOOR TO UL752 LEVEL 4-8 - NON FIRE RATED**

DATE: 2020/05/04  
 DRAWN BY: ASC  
 REVISION: 1