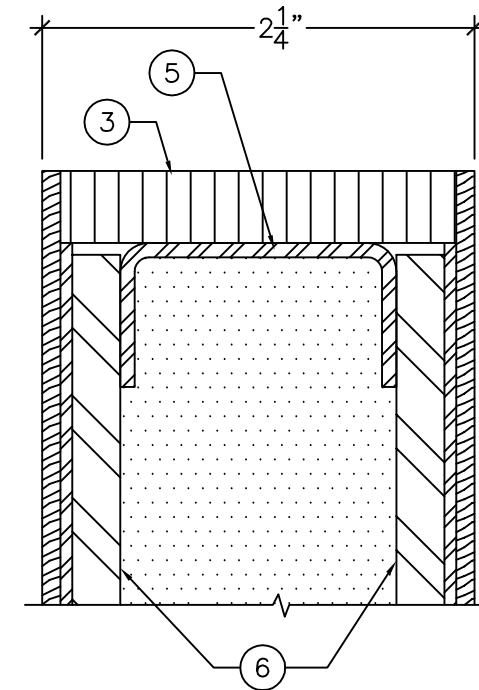


LEGEND:

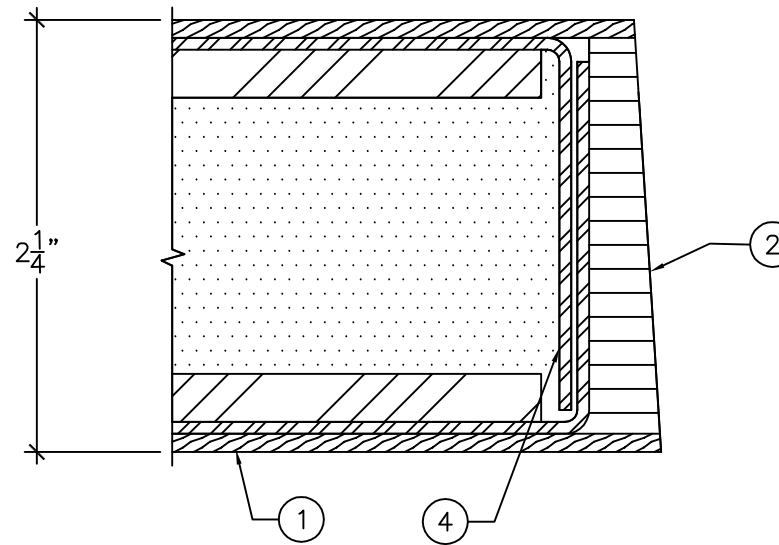
1. WOOD VENEER.
2. HARDWOOD STILES TO MATCH VENEER
3. HARDWOOD TOP RAIL
4. INSULATED CORE.
5. STEEL TOP AND BOTTOM CHANNELS.
6. BULLET PLATE TO UL752 LEVEL 9-10

NOTE:

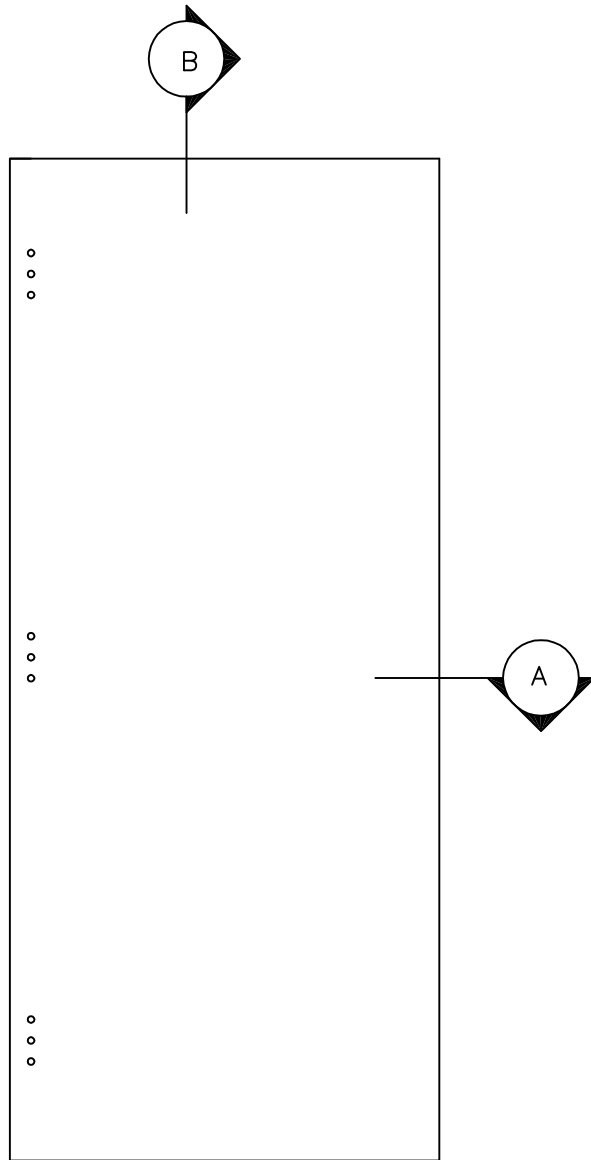
- DOOR PREPPED FOR SURFACE HINGES SUPPLIED LOOSE BY AMBICO.



SECTION "B"
1'-0" = 1'-0"



SECTION "A"
1'-0" = 1'-0"



ELEVATION
3/4" = 1'-0"



DRAWING TITLE:

BULLET RESISTANT WOOD DOOR TO UL752 LEVEL 9-10 - NON FIRE RATED

DATE: 2020/05/04

DRAWN BY: ASC

REVISION: 1