

LEGEND:

- 1. SECURITY FRAME
- 2. WOOD CLAD SECURITY DOOR
- 3. HEAVY DUTY DOUBLE ACTING HINGE
- 4. LOCKABLE SWING STOP BY AMBICO



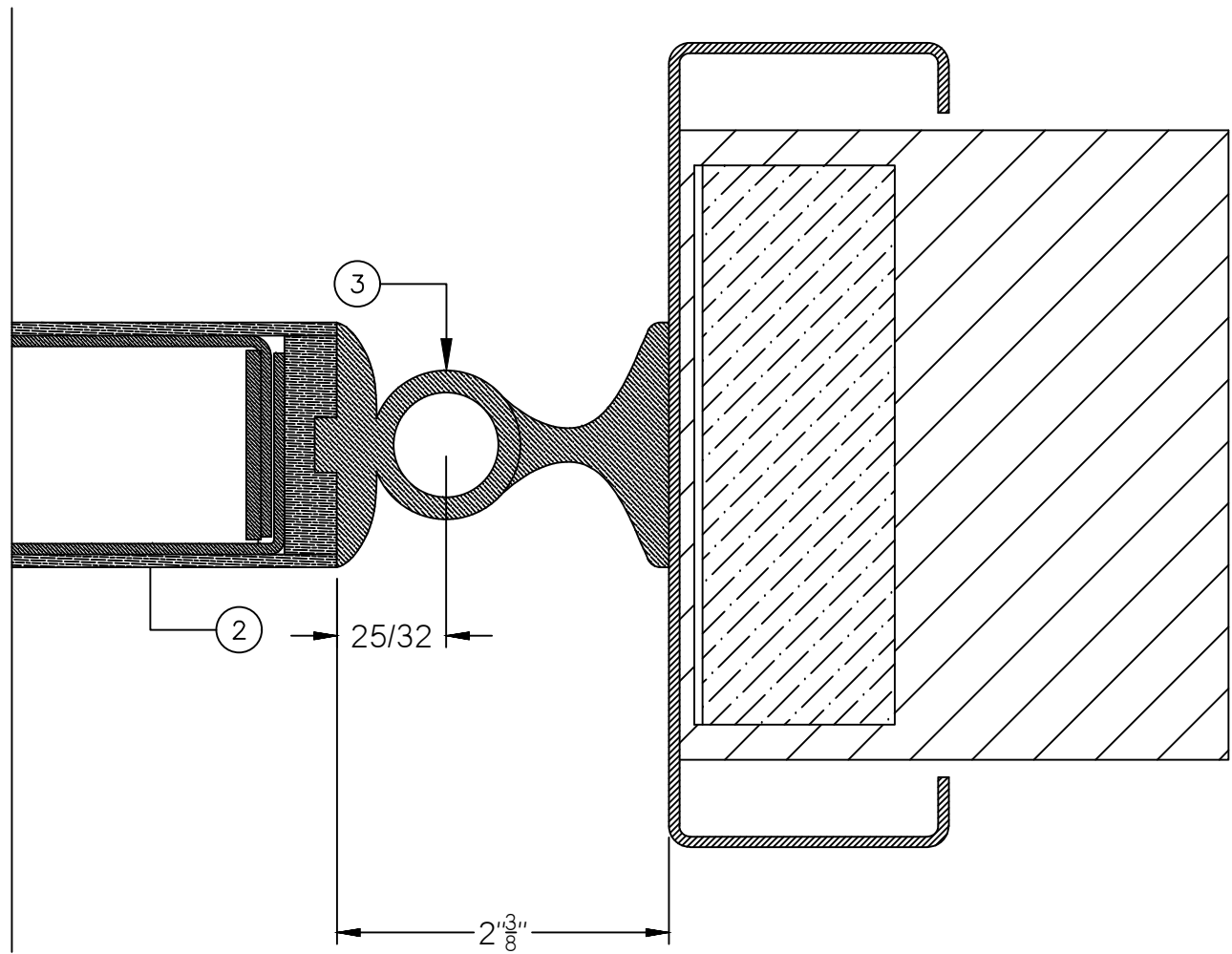
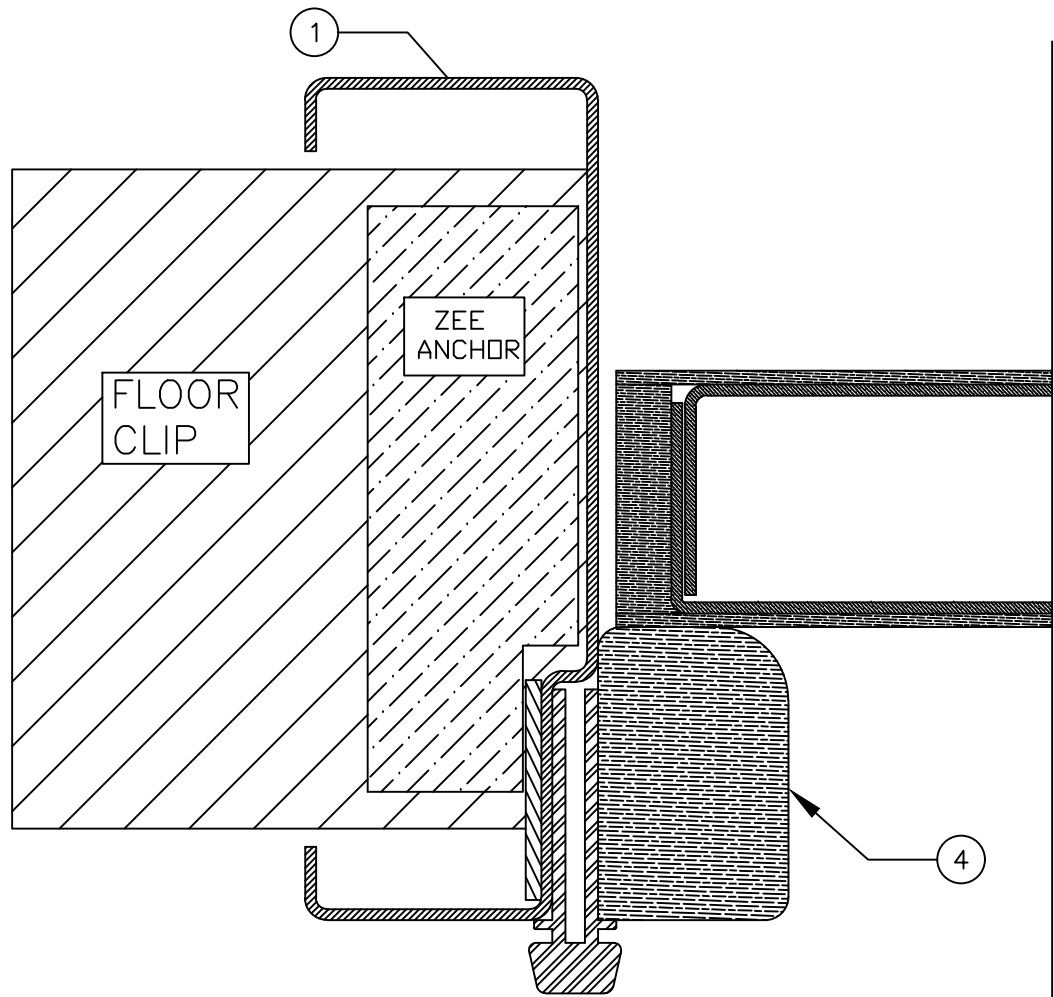
DRAWING TITLE:

WOOD ANTI-BARRICADE SECURITY DOOR AND FRAME ASSEMBLY

DATE:

DRAWN BY:

REVISION:



DRAWING TITLE:
WOOD ANTI BARRICADE SECURITY DOOR AND FRAME ASSEMBLY

DATE: _____
 DRAWN BY: _____
 REVISION: _____