

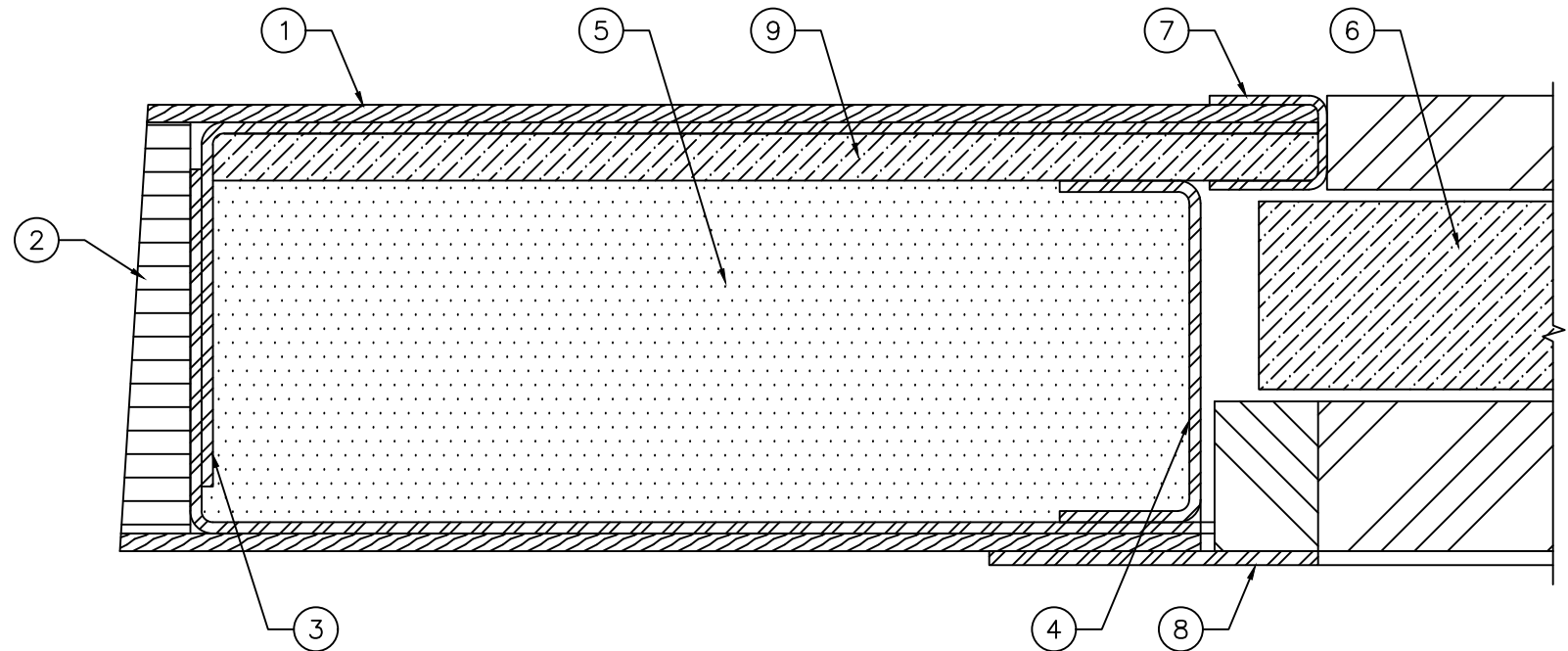
ELEVATION

3/4" = 1'-0"

VISION LITE DIMENSIONS SHOWN
REFER TO CUTOUT SIZE

LEGEND:

1. WOOD VENEER.
2. WOOD STILES AND RAILS.
3. STEEL DOOR SKINS.
4. LITE REINFORCEMENT AROUND PERIMETER.
5. FIBERGLASS INSULATION.
6. BULLET RESISTANT GLASS, UP TO 1 3/16" THICK.
7. FIXED GLAZING BEAD ON PUSH SIDE.
8. REMOVABLE GLAZING BEAD ON PULL SIDE.
9. STEEL BULLET PLATE TO UL752 LEVEL 1-4, 6.



SECTION "A"

1'-0" = 1'-0"



DRAWING TITLE:

WOOD BULLET RESISTANT LITE KIT TO UL752 LEVEL 1-4, 6

DATE: MARCH 22, 2017

DRAWN BY: TWB

REVISION: 0