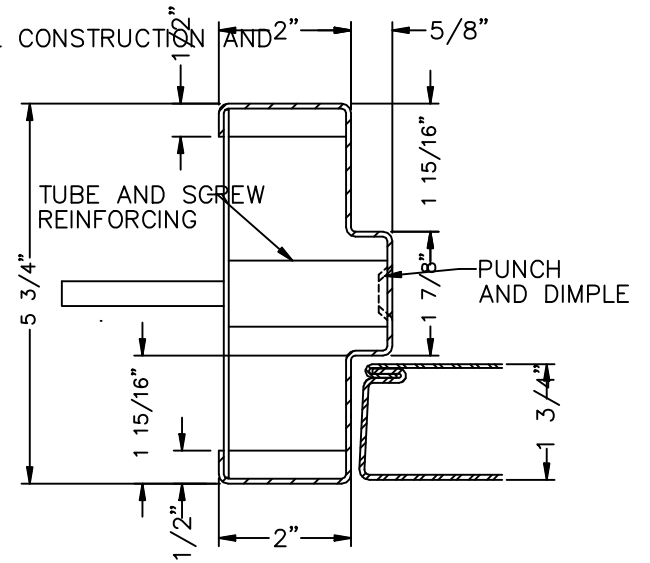
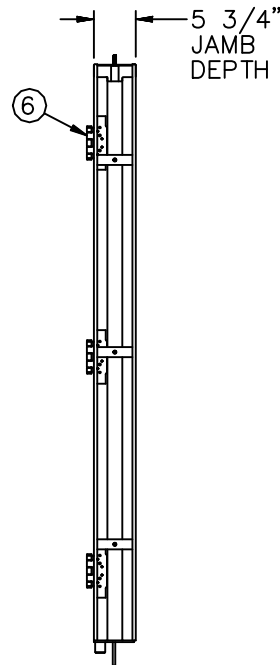
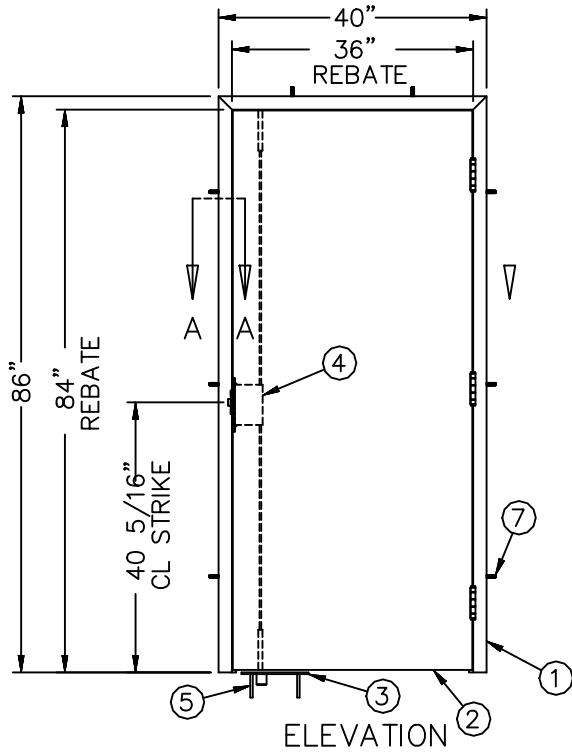


NOTES:

1. ARCHITECT AND/OR CONTRACTOR TO ENSURE WALL CAN RESIST APPLIED LOADING.
2. QUANTITY OF SCREWS OR CONCRETE ANCHORS AND THEIR LOCATION DEPENDS ON WALL CONSTRUCTION AND THIS ARE SUBJECT TO CHANGE



Item No.	Title
1	2 psi Frame
2	2 psi, 100% Rebound Door
3	2 psi, 100% Rebound Floor Plate
4	Surface-Mount 3-pt Blast Resistant Hardware
5	Flat Head Concrete Anchor
6	4 1/2" x 4 1/2" Heavy Weight Hinge
7	Machine Screw or Concrete Anchor



2 PSI 100% REBOUND BLAST SINGLE

SHEET: 1 OF: 1