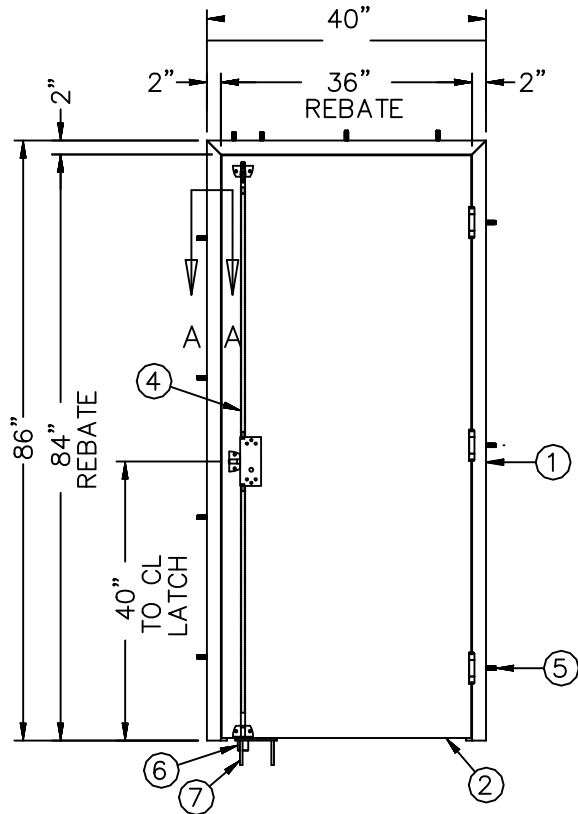
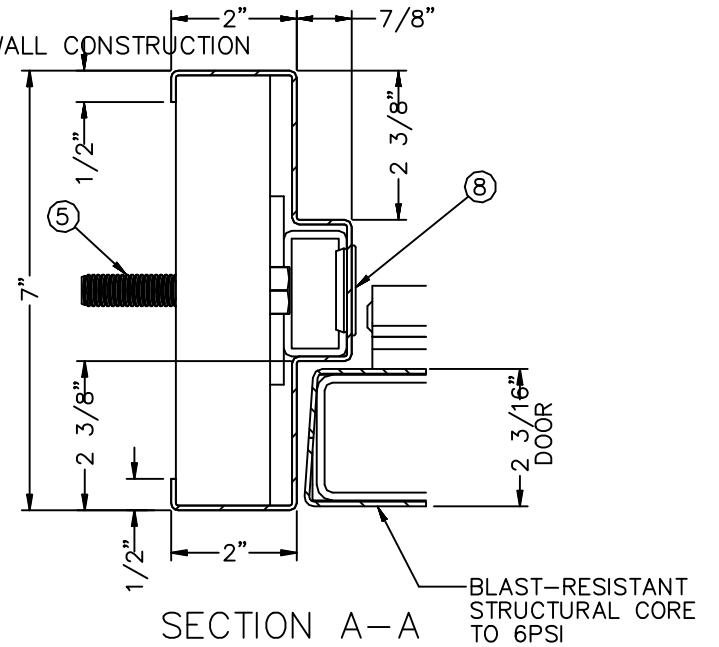
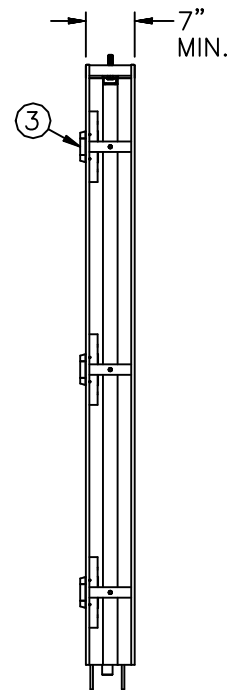


NOTES:

1. ARCHITECT AND/OR CONTRACTOR TO ENSURE WALL CAN RESIST APPLIED LOADING.
2. QUANTITY OF SCREWS OR CONCRETE ANCHORS AND THEIR LOCATION DEPENDS ON WALL CONSTRUCTION AND THUS ARE SUBJECT TO CHANGE



ELEVATION



SECTION A-A

Item No.	Title
1	6psi Blast-Resistant Frame
2	6psi Blast-Resistant Door
3	4 1/2" x 4 1/2" Super Heavy Weight Hinge Hardware
4	Surface-Mount 3-pt Blast-Resistant Hardware
5	Hex Bolt or Concrete Anchor
6	Floor Plate
7	Flat-Head Concrete Anchor
8	Hole Plug - 1.25" Hole



6 PSI 100% REBOUND BLAST SINGLE

SHEET: 1 OF: 1