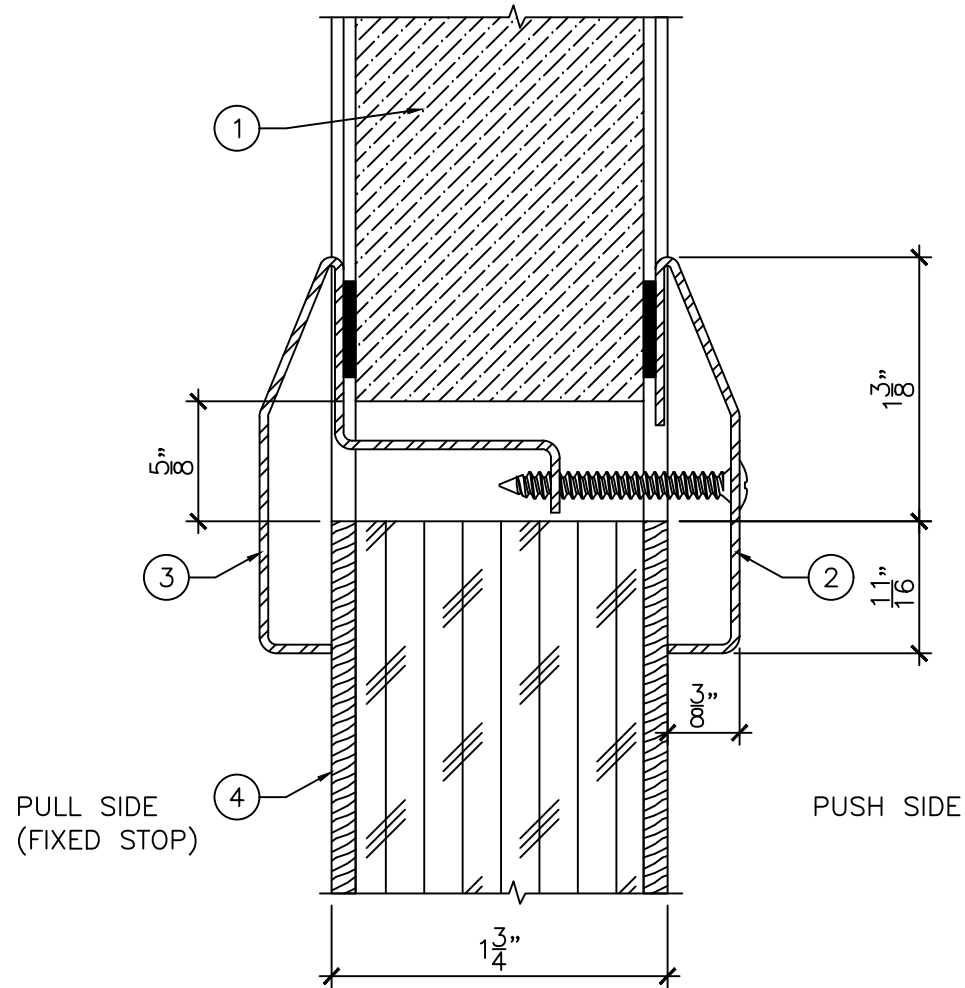


ELEVATION

3/4" = 1'-0"

VISION LITE DIMENSIONS SHOWN
REFER TO CUTOUT SIZE



SECTION "A"

1'-0" = 1'-0"

FOR STC 40 RATING MAX AREA
OF CUTOUT = 383 SQ.IN.

LEGEND:

1. CLEAR FIRE LISTED GLASS
2. REMOVABLE STOP.
3. NON-REMOVABLE STOP.
4. ACOUSTIC WOOD FIRE-RATED DOOR.



DRAWING TITLE:

WOOD DOOR LITE KIT #21 - FIRE RATED

DATE: JANUARY 18, 2017

DRAWN BY: TWB

REVISION: 0