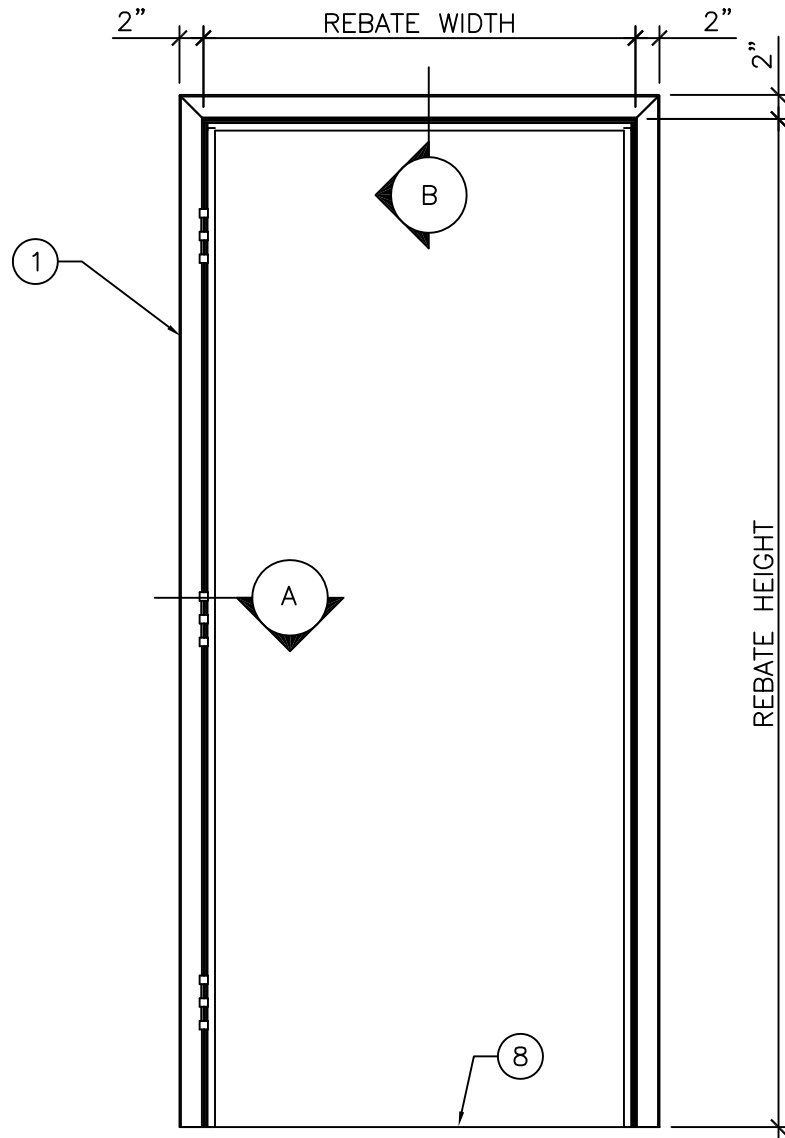


NOTES:

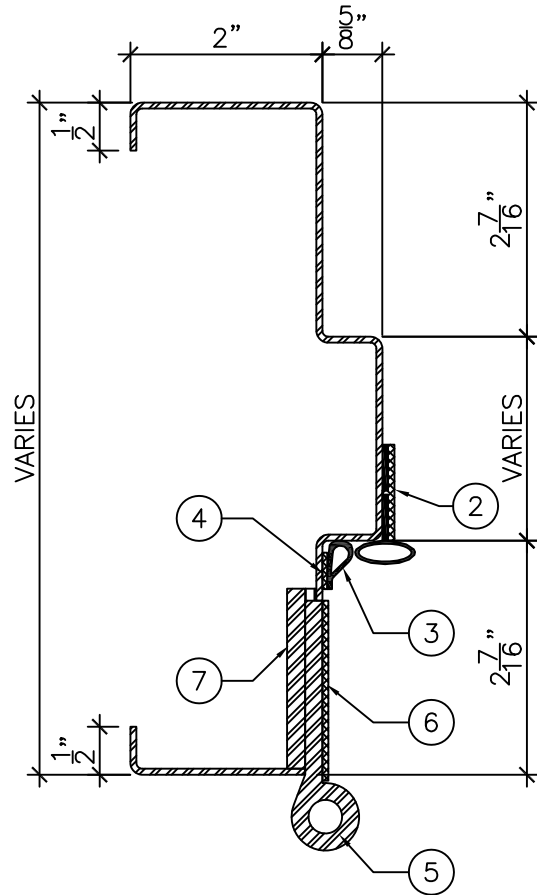
- FRAME & 1/2" HIGH ACOUSTIC STEPPED THRESHOLD 5" WIDE TO BE INSTALLED ON TOP LEVELS OF FINISHED FLOOR COVERING MATERIAL

LEGEND:

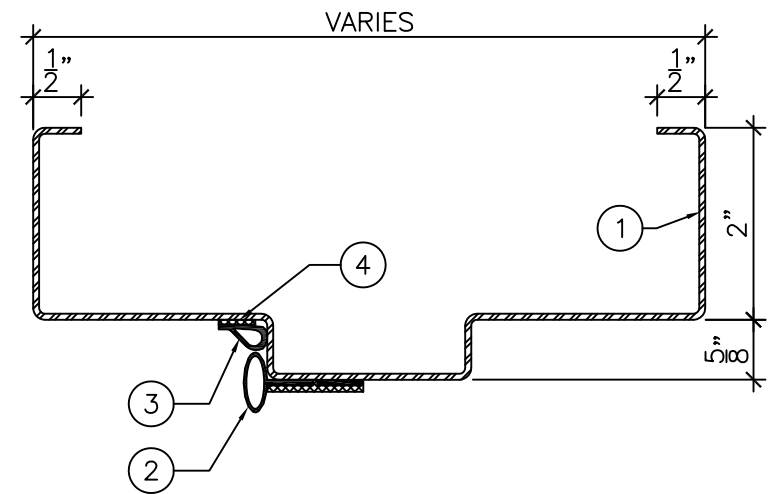
1. PRESSED STEEL ACOUSTIC FRAME.
2. FIRE RATED PERIMETER BULB SEAL SHIPPED BY AMBICO, INSTALLED ON SITE BY OTHERS.
3. PERIMETER SMOKE SEAL, SHIPPED BY AMBICO, INSTALLED ON SITE BY OTHERS.
4. HOT SMOKE SEAL, SHIPPED BY AMBICO, INSTALLED ON SITE BY OTHERS.
5. HINGES, BY OTHERS.
6. INTUMESCENT HINGE PROTECTION, SHIPPED BY AMBICO, INSTALLED ON SITE BY OTHERS.
7. HINGE REINFORCEMENT, FACTORY WELDED IN FRAME.
8. 1/2" HIGH STEPPED ACOUSTIC THRESHOLD.



ELEVATION
3/4" = 1'-0"



DETAIL "A"
6" = 1'-0"



DETAIL "B"
6" = 1'-0"



DRAWING TITLE:

ACOUSTIC STEEL SINGLE FRAME AND PERIMETER SEALS FOR FIRE RATED WOOD DOORS
STC 41 TO STC 49

DATE:

DRAWN BY:

REVISION:

0