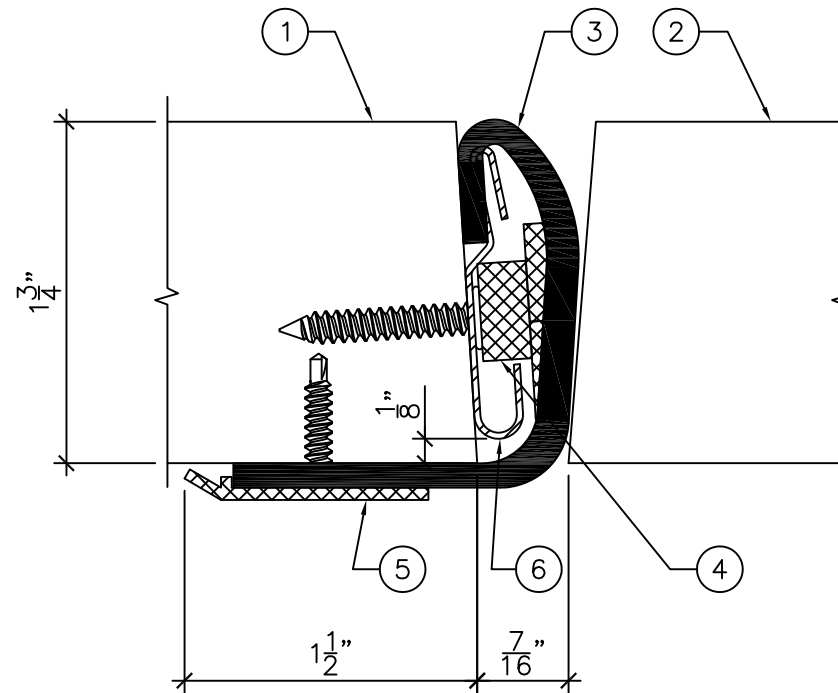


LEGEND:

1. "INACTIVE" ACOUSTIC DOOR.
2. "ACTIVE" ACOUSTIC DOOR.
3. ACOUSTIC FOAM-BACKED RUBBER SEAL.
4. SOFT FOAM.
5. REMOVABLE SEAL RETAINER (ALUMINUM).
6. SEAL BRACKET (STEEL).



ASTRAGAL SECTION

1'-0" = 1'-0"



DRAWING TITLE:

**ASTRAGAL FOR 1.75" THICK BOTH ACTIVE PAIR OF WOOD DOORS - NON-FIRE RATED
STC 41 TO STC 50**

DATE: 2020/08/17

DRAWN BY: ASC

REVISION: 1