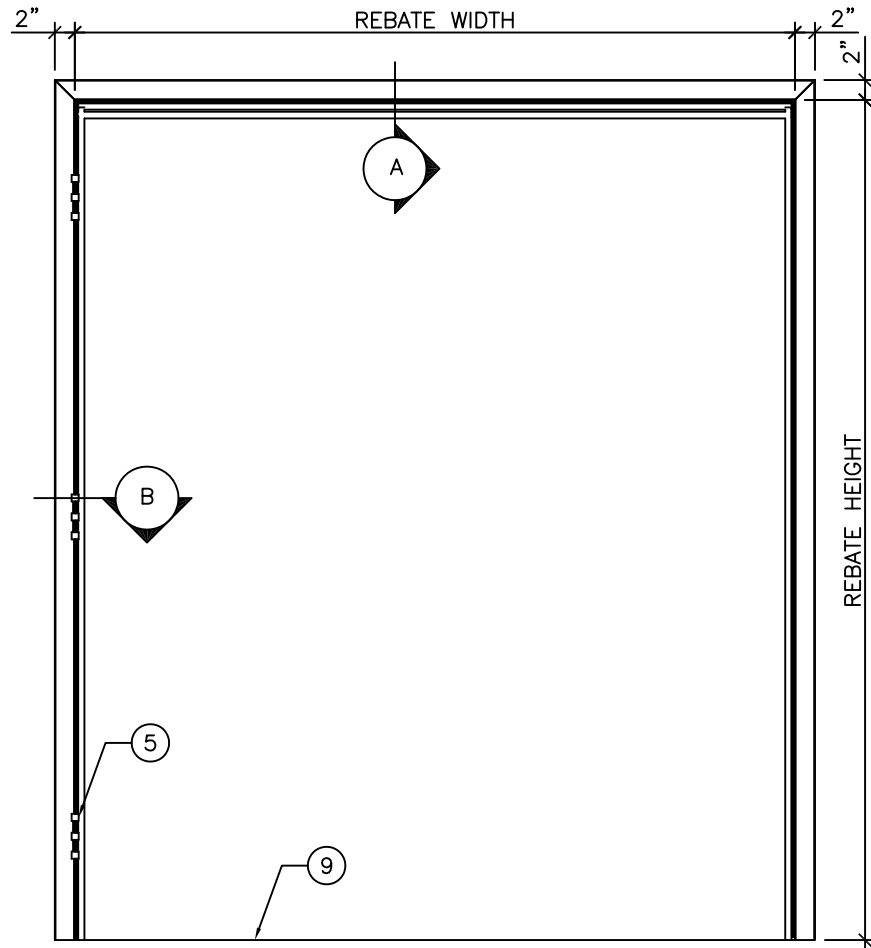


NOTES:

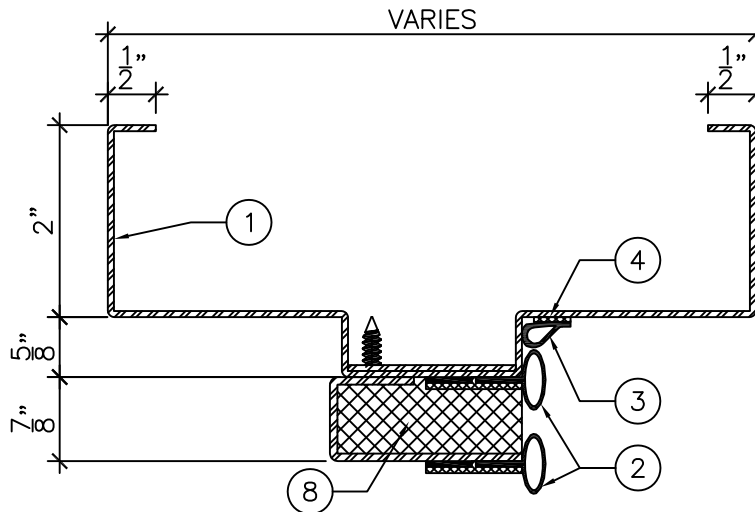
- FRAME & 1/2" HIGH ACOUSTIC STEPPED THRESHOLD 5" WIDE TO BE INSTALLED ON TOP LEVEL OF FINISHED FLOOR COVERING MATERIAL

LEGEND:

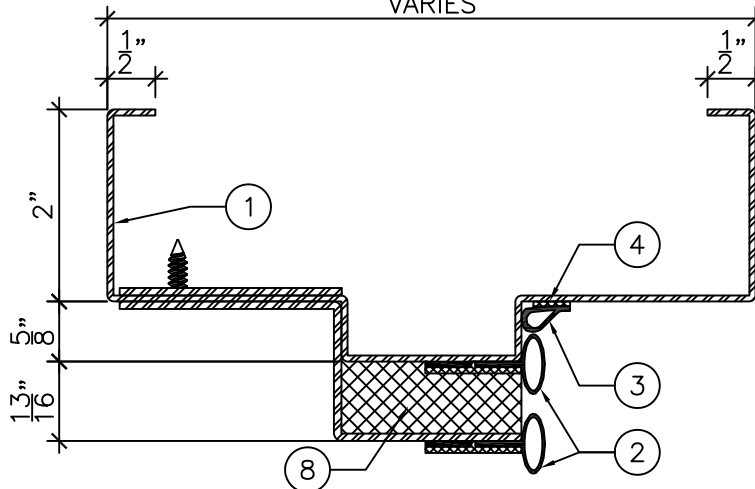
1. PRESSED STEEL ACOUSTIC FRAME.
2. FIRE RATED PERIMETER SEAL SHIPPED BY AMBICO, INSTALLED ON SITE BY OTHERS.
3. PERIMETER SMOKE SEAL, SHIPPED BY AMBICO, INSTALLED ON SITE BY OTHERS.
4. HOT SMOKE SEAL, SHIPPED BY AMBICO, INSTALLED ON SITE BY OTHERS.
5. HINGES, BY OTHERS.
6. INTUMESCENT HINGE PROTECTION, SHIPPED BY AMBICO, INSTALLED ON SITE BY OTHERS.
7. HINGE REINFORCEMENT, FACTORY WELDED IN FRAME.
8. ACOUSTIC ABSORPTION CHAMBER.
9. 1/2" HIGH STEPPED ACOUSTIC THRESHOLD.



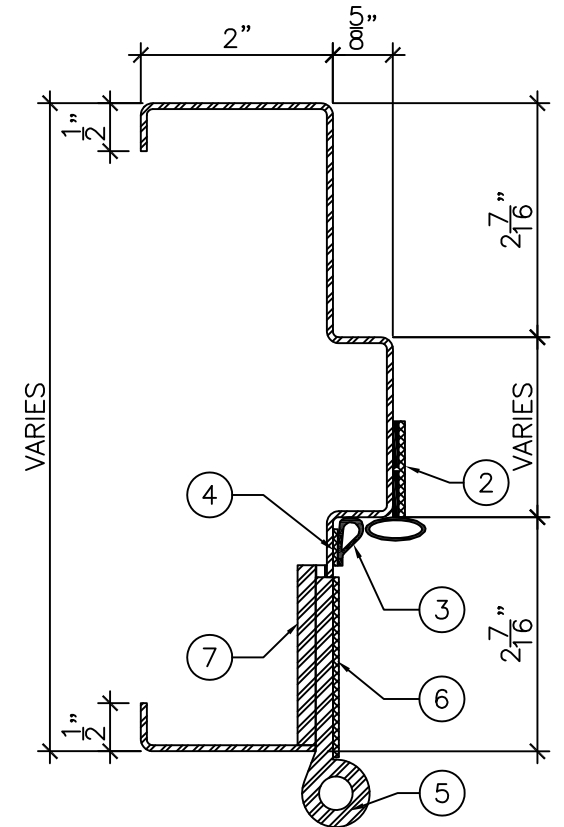
**ELEVATION**  
5/8" = 1'-0"



**DETAIL "A" - >2" SOFFIT**  
6" = 1'-0"  
VARIES



**DETAIL "A" - <2" SOFFIT**  
6" = 1'-0"



**DETAIL "B"**  
6" = 1'-0"



DRAWING TITLE:

**ACOUSTIC STEEL PAIRED FRAME AND PERIMETER SEALS FOR FIRE RATED WOOD DOORS  
STC 50 TO STC 52**

DATE: 02/10/2021

DRAWN BY: ASC

REVISION: 1