

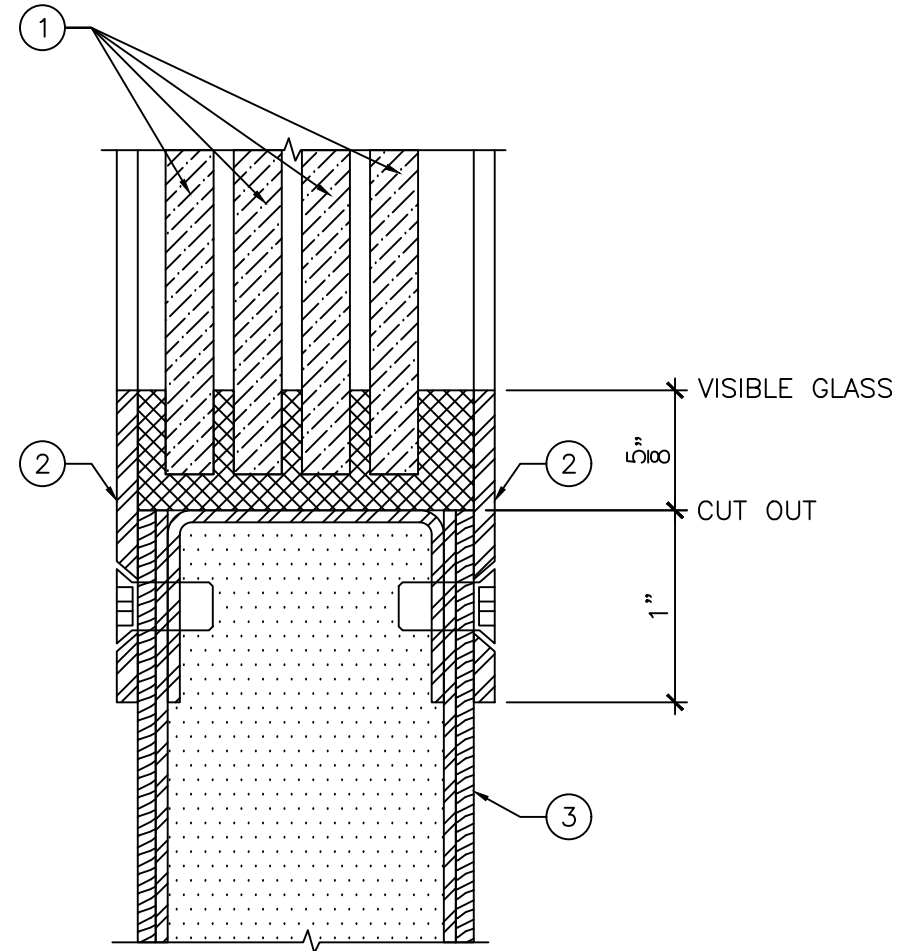
ELEVATION

3/4" = 1'-0"

VISION LITE DIMENSIONS SHOWN
REFER TO CUTOUT SIZE

LEGEND:

- 1. 1/4" CLEAR GLASS - 4 LAYERS.
- 2. PRIMED STEEL REMOVABLE STOPS.
- 3. ACOUSTIC WOOD DOOR.



SECTION "A"

1'-0" = 1'-0"

FOR STC 48 RATING MAX AREA
OF CUTOUT = 345 SQ.IN.



DRAWING TITLE:

**WOOD DOOR LIGHT KIT #07, VISION PANEL
STC 48**

DATE: OCTOBER 17, 2016

DRAWN BY: TWB

REVISION: 0