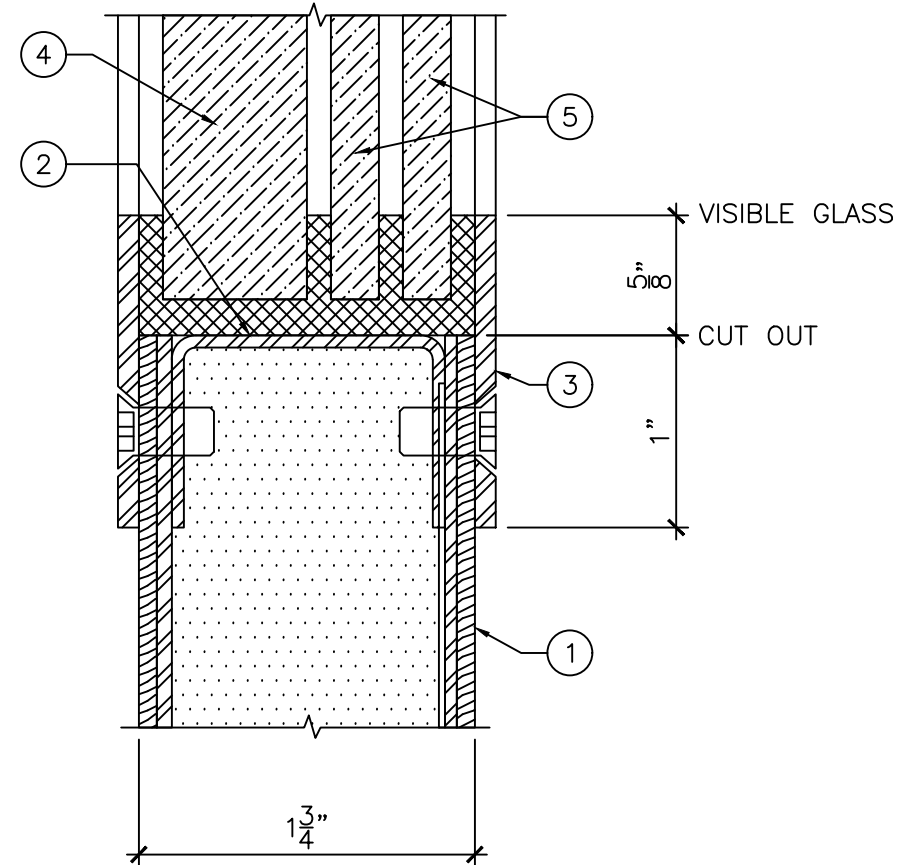


ELEVATION

3/4" = 1'-0"

VISION LITE DIMENSIONS SHOWN
REFER TO CUTOUT SIZE

- LEGEND:
1. ACOUSTIC WOOD DOOR.
 2. STEEL CHANNELS.
 3. PRIMED STEEL REMOVABLE STOPS.
 4. 3/4" ACOUSTIC GLASS.
 5. 1/4" ACOUSTIC GLASS.



SECTION "A"

1'-0" = 1'-0"

FOR STC 50 RATING MAX AREA
OF CUTOUT = 345 SQ.IN.



DRAWING TITLE:

WOOD DOOR LIGHT KIT #08
STC 50

DATE: OCTOBER 17, 2016

DRAWN BY: TWB

REVISION: 0