

ELEVATION

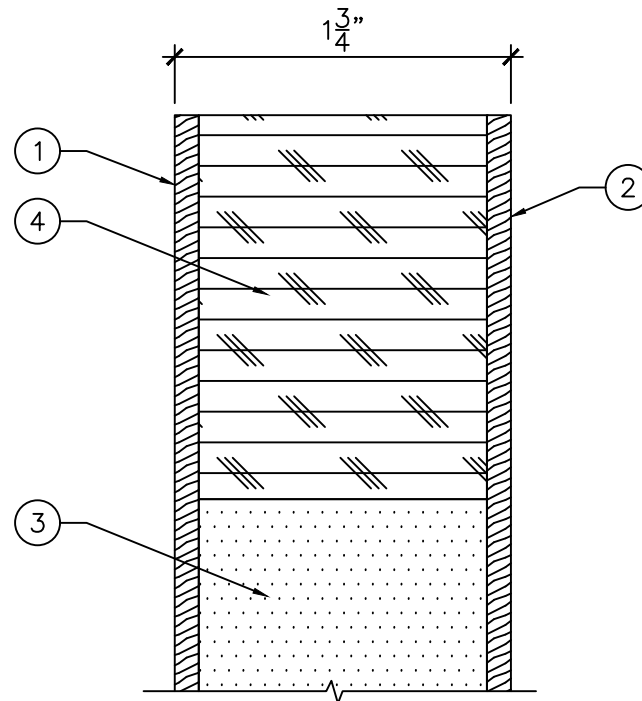
3/4" = 1'-0"

NOTES:

- ALL DOORS INCLUDE FACTORY PRE-MACHINING FOR HARDWARE.
- ALL DOORS INCLUDE FACTORY SEALING OF EDGES.
- FACTORY PRE-FINISHING IS OPTIONAL.
SPECIFIED FACTORY FINISH TO BE: ____

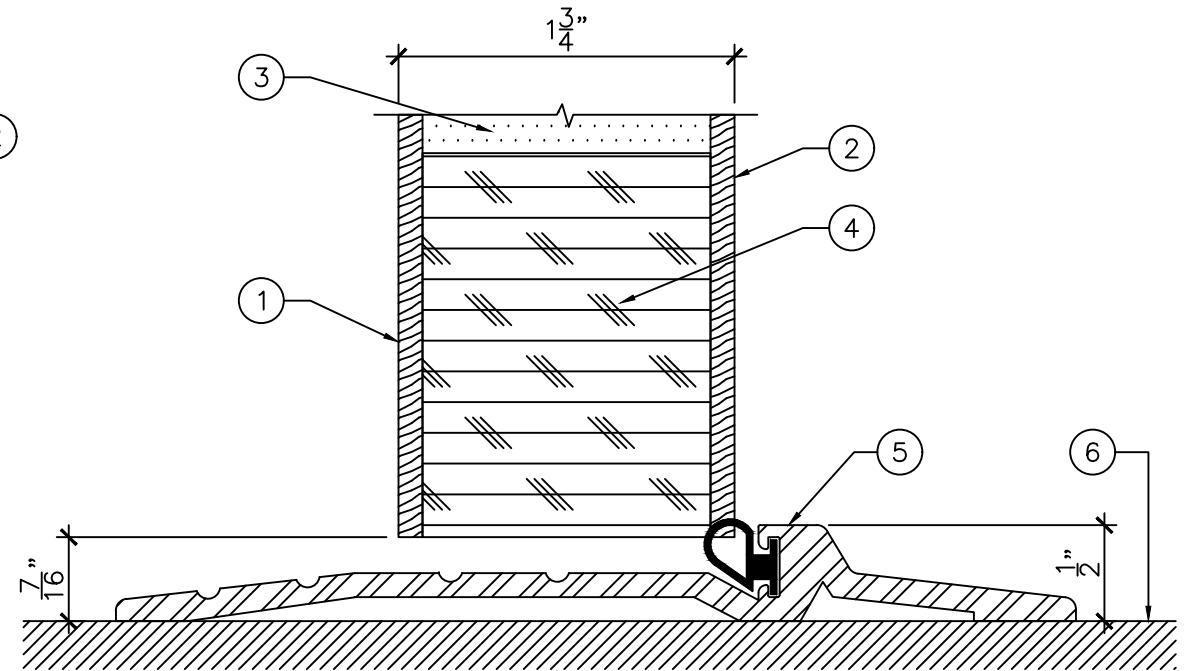
LEGEND:

1. WOOD FACE VENEER (PULL SIDE).
FACE VENEER TO BE: ____
2. WOOD FACE VENEER (PUSH SIDE).
FACE VENEER TO BE: ____
3. FIRE RATED ACOUSTIC CORE.
4. HARDWOOD STILES AND RAILS.
5. 1/2" HIGH ACOUSTIC STEPPED THRESHOLD.
6. FINISHED FLOOR COVERING MATERIAL.



TOP DETAIL "A"

1"-0" = 1'-0"



BOTTOM DETAIL "B"

1"-0" = 1'-0"



DRAWING TITLE:

**WOOD CLAD ACOUSTIC DOOR - FIRE RATED
STC 33 TO STC 35**

DATE: OCTOBER 17, 2016

DRAWN BY: TWB

REVISION: 0