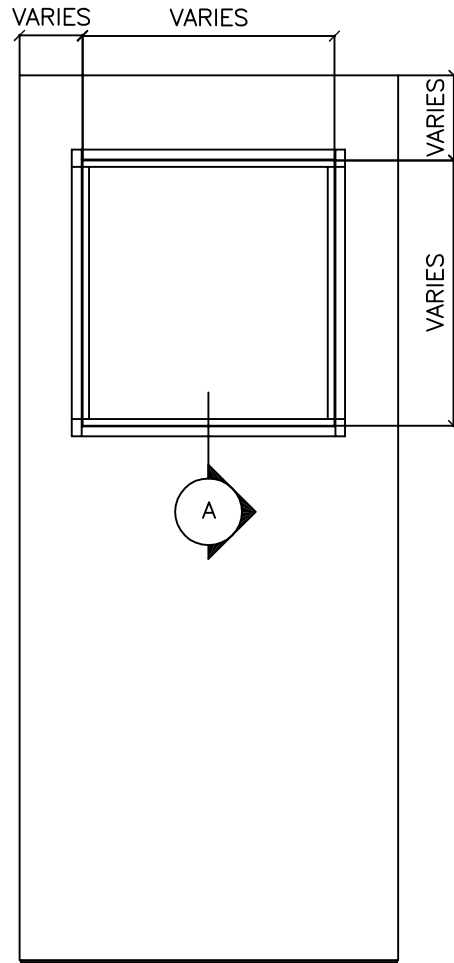


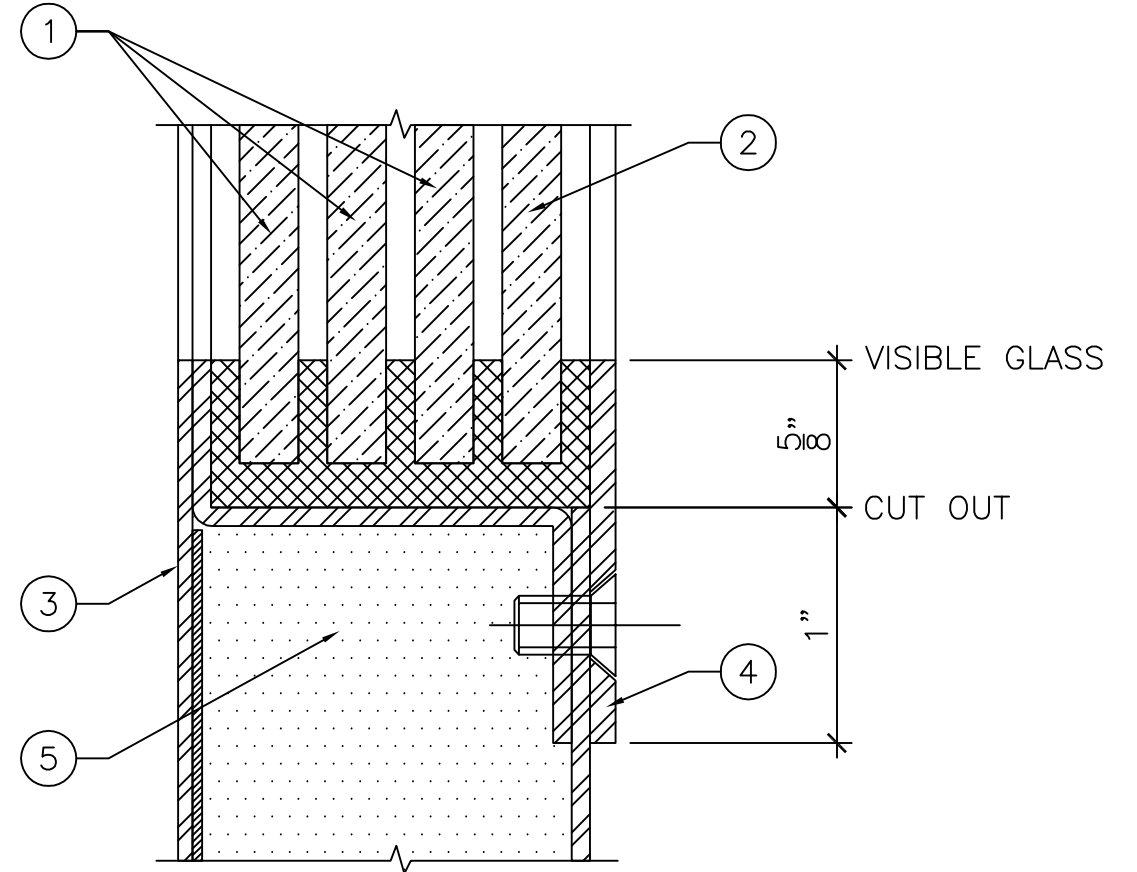
FOR STC 48 RATING MAX AREA
OF CUTOUT = 345 SQ.IN.



ELEVATION
3/4" = 1'-0"

LEGEND:

1. 1/4" CLEAR GLASS.
2. 1/4" CLEAR GLASS. WIRED GLASS WILL BE USED AUTOMATICALLY IF THE OPENING IS FIRE RATED.
3. FIXED STOP ON THE SECURE SIDE (LOCK CYLINDER SIDE) OF THE DOOR.
4. REMOVABLE STOP C/W #10 FH SCREWS.
5. ALL VOIDS FILLED WITH SOUND DEADENER.



SECTION "A"
1'-0" = 1'-0"

CONSULT AMBICO FOR ADDITIONAL
LITE KIT DESIGNS



DRAWING TITLE:

STEEL ACOUSTIC DOOR WITH LITE KIT
STC 33 TO STC 48

DATE: OCTOBER 17, 2016

DRAWN BY: TWB

REVISION: 0