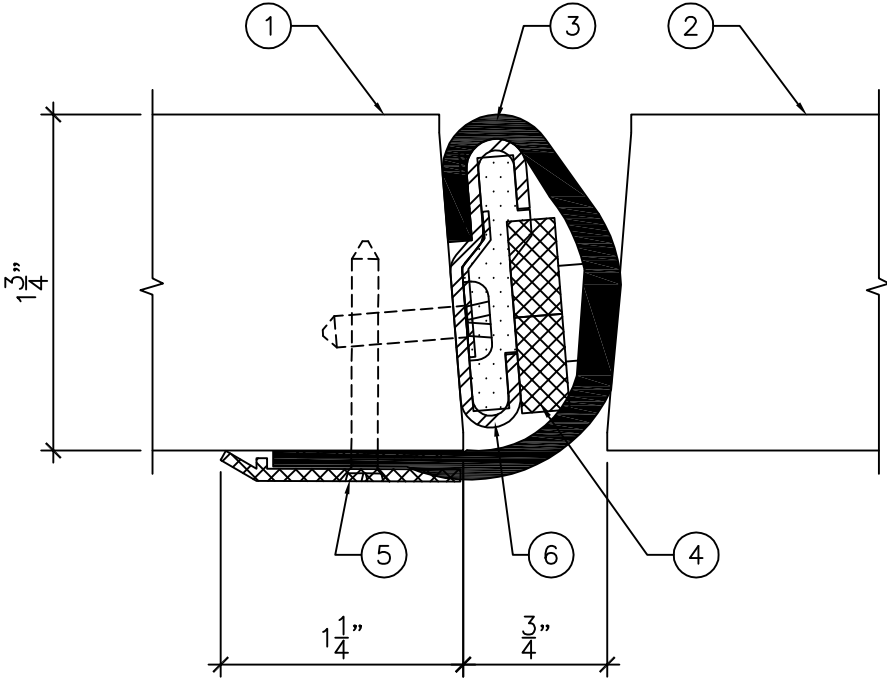


LEGEND:

- 1. "INACTIVE" ACOUSTIC DOOR.
- 2. "ACTIVE" ACOUSTIC DOOR.
- 3. ACOUSTIC MEETING STILE ASTRAGAL SEAL.
- 4. SOFT FOAM.
- 5. REMOVABLE SEAL RETAINER (ALUMINUM).
- 6. SEAL BRACKET (STEEL).



ASTRAGAL SECTION
1'-0" = 1'-0"



DRAWING TITLE:
ASTRAGAL, 1.75" THICK DOOR, WOOD AND STEEL, BOTH DOORS ACTIVE
STC 33 TO STC 50

DATE:	OCTOBER 17, 2016
DRAWN BY:	TWB
REVISION:	0