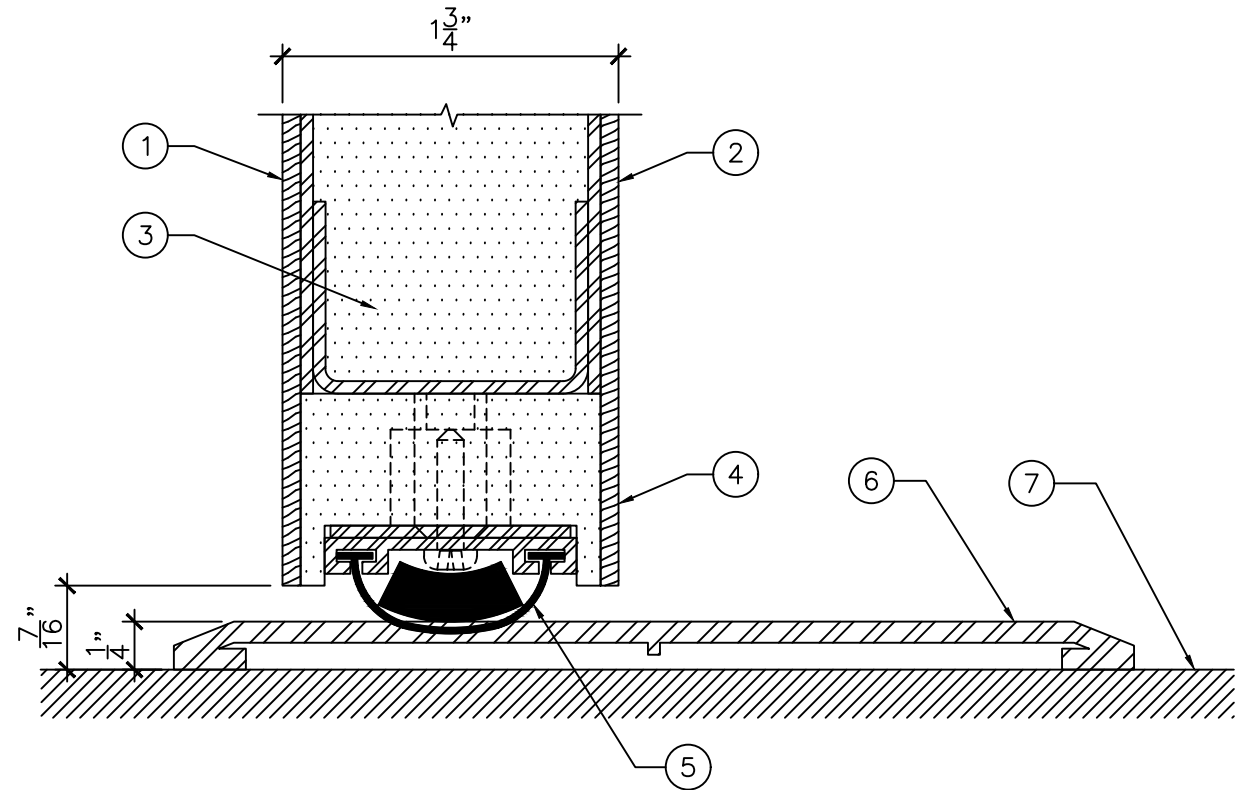


NOTES:

- ALL DOORS INCLUDE FACTORY PRE-MACHINING FOR HARDWARE.
- ALL DOORS INCLUDE FACTORY SEALING OF EDGES
- FACTORY PRE-FINISHING IS OPTIONAL.  
SPECIFIED FACTORY FINISH TO BE: \_\_\_\_\_.

LEGEND:

1. WOOD FACE VENEER (PULL SIDE).  
FACE VENEER TO BE: \_\_\_\_\_.
2. WOOD FACE VENEER (PUSH SIDE).  
FACE VENEER TO BE: \_\_\_\_\_.
3. ACOUSTIC CORE.
4. HARDWOOD STILES AND RAILS.
5. SWEEP SEAL.
6. 1/4" HIGH FLAT ACOUSTIC THRESHOLD.
7. FINISHED FLOOR COVERING MATERIAL.



**ELEVATION (PULL SIDE - LH/RHR SHOWN)**

3/4" = 1'-0"

**BOTTOM DETAIL "A"**

1"-0" = 1'-0"



DRAWING TITLE:

**WOOD CLAD ACOUSTIC DOOR - NON FIRE RATED  
FROM STC 41 TO STC 46**

DATE: OCTOBER 17, 2016

DRAWN BY: TWB

REVISION: 0