

ELEVATION

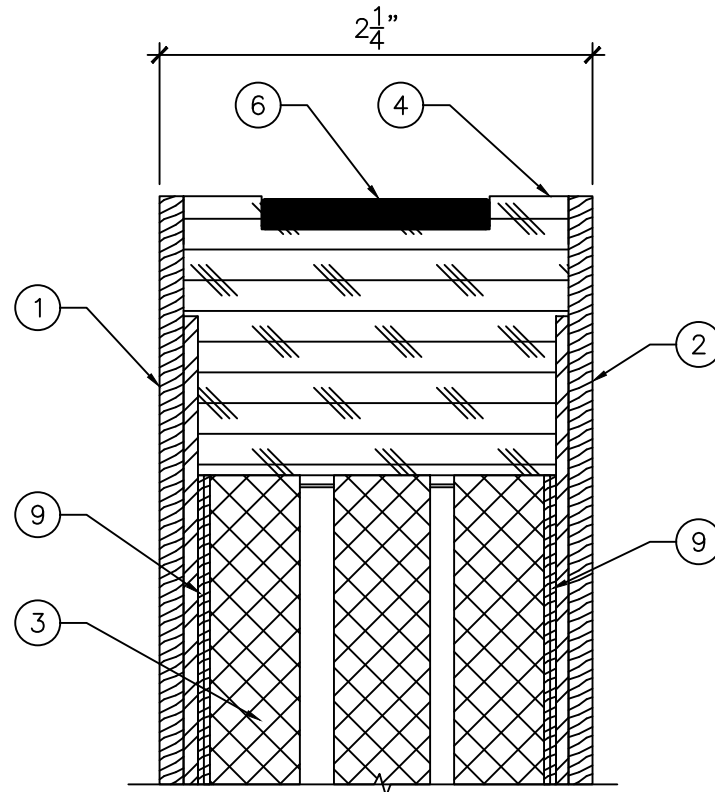
3/4" = 1'-0"

NOTES:

- ALL DOORS INCLUDE FACTORY PRE-MACHINING FOR HARDWARE.
- ALL DOORS INCLUDE FACTORY SEALING OF EDGES.
- ADDITIONAL TOP HINGE OVER THAT SPECIFIED BY NFPA80 IS REQUIRED FOR DOORS GREATER THAN 3'-6" WIDE OR 7'-6" TALL.
- MAXIMUM 45 MINUTE FIRE RATING ALLOWED FOR DOORS OVER 3'-6" WIDE, 7'-6" TALL OR PAIRS WITH ASTRAGAL
- CVR/CVC TOP LATCH AND STRIKE LOCATIONS DO NOT FOLLOW HARDWARE MANUFACTURER'S TEMPLATE AND INSTALLATION INSTRUCTIONS. CONSULT AMBICO FOR STRIKE LOCATION.

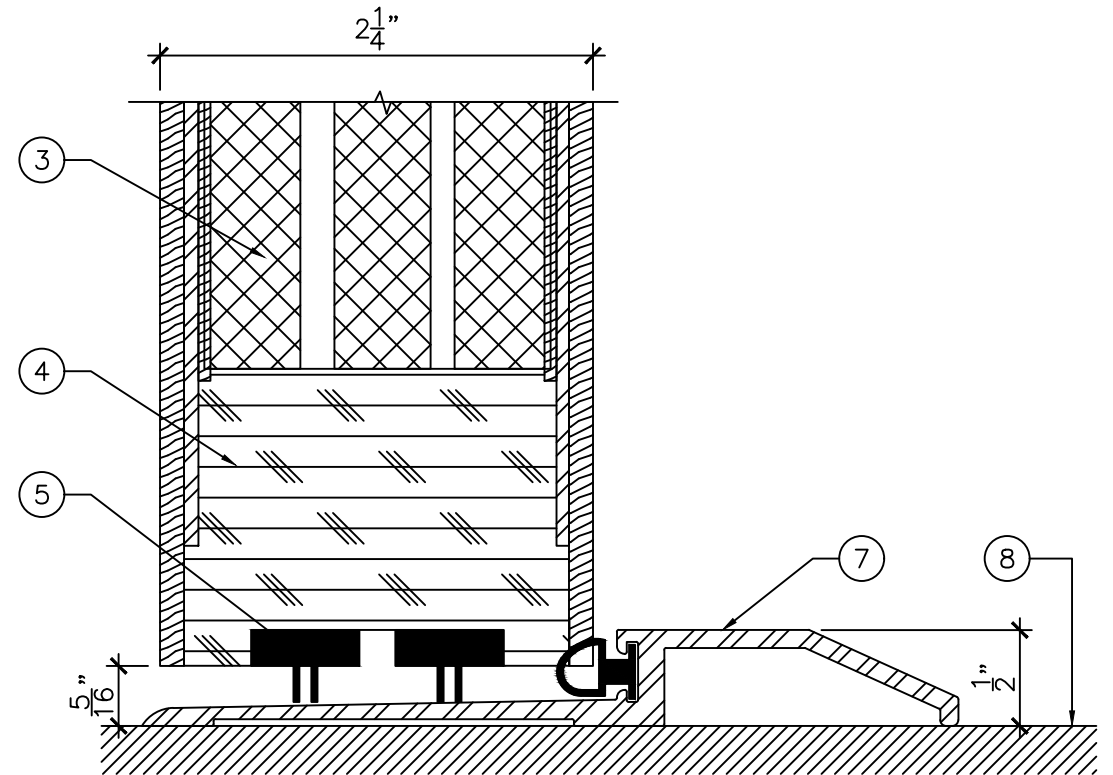
LEGEND:

1. WOOD FACE VENEER (PULL SIDE).
FACE VENEER TO BE: ---
2. WOOD FACE VENEER (PUSH SIDE).
FACE VENEER TO BE: ---
3. FIRE RATED ACOUSTIC CORE.
4. HARDWOOD STILES AND RAILS.
5. HEAT ACTIVATED SWEEP SEAL.
6. HEAT ACTIVATED SEAL.
7. 1/2" HIGH ACOUSTIC STEPPED THRESHOLD.
8. FINISHED FLOOR COVERING MATERIAL.
9. ACOUSTIC LINING.



TOP DETAIL "A"

1"-0" = 1'-0"



BOTTOM DETAIL "B"

1"-0" = 1'-0"



DRAWING TITLE:

**WOOD CLAD ACOUSTIC DOOR - FIRE RATED
STC 41 TO STC 51**

DATE: OCTOBER 17, 2016

DRAWN BY: TWB

REVISION: 0