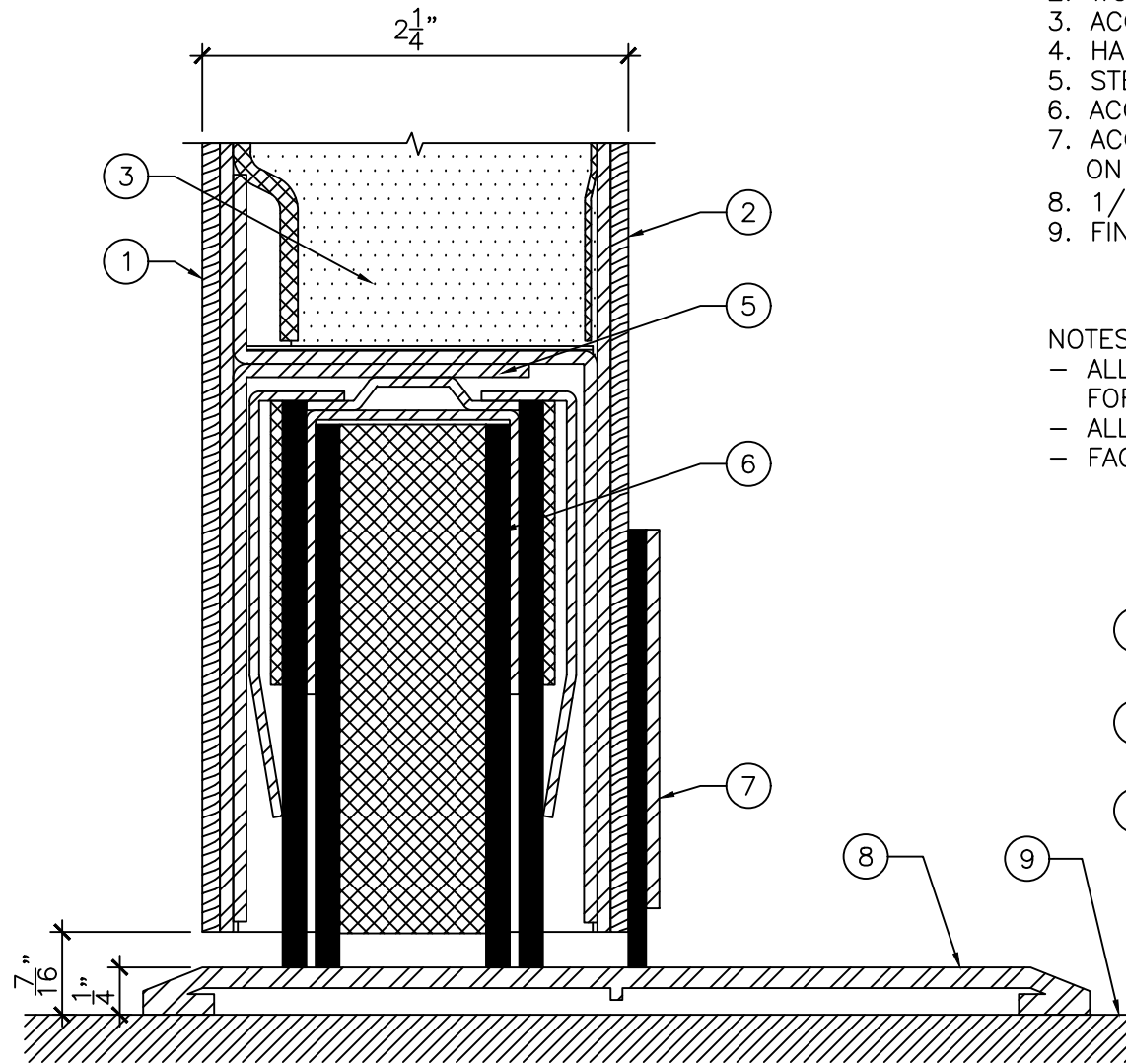


**ELEVATION**  
3/4" = 1'-0"



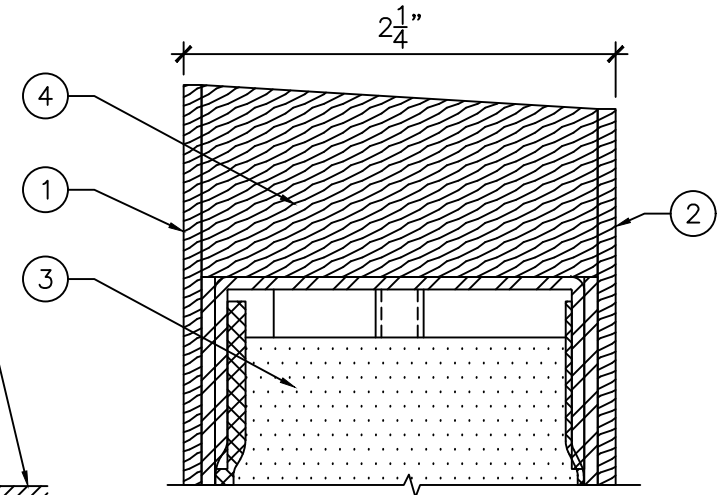
**BOTTOM DETAIL "A"**  
1"-0" = 1'-0"

**LEGEND:**

1. WOOD FACE VENEER (PULL SIDE).
2. WOOD FACE VENEER (PUSH SIDE).
3. ACOUSTIC CORE.
4. HARDWOOD STILES AND RAILS.
5. STEEL CHANNEL.
6. ACOUSTIC MORTISED DOOR BOTTOM.
7. ACOUSTIC SWEEP SEAL - INSTALLED ON SITE BY OTHERS.
8. 1/4" HIGH ACOUSTIC THRESHOLD.
9. FINISHED FLOOR COVERING MATERIAL.

**NOTES:**

- ALL DOORS INCLUDE FACTORY PRE-MACHINING FOR HARDWARE.
- ALL DOORS INCLUDE FACTORY SEALING OF EDGES.
- FACTORY PRE-FINISHING IS OPTIONAL.



**TOP DETAIL "B"**  
1"-0" = 1'-0"



DRAWING TITLE:

**WOOD CLAD ACOUSTIC DOOR - NON FIRE RATED  
STC 53**

DATE: OCTOBER 17, 2016

DRAWN BY: TWB

REVISION: 0