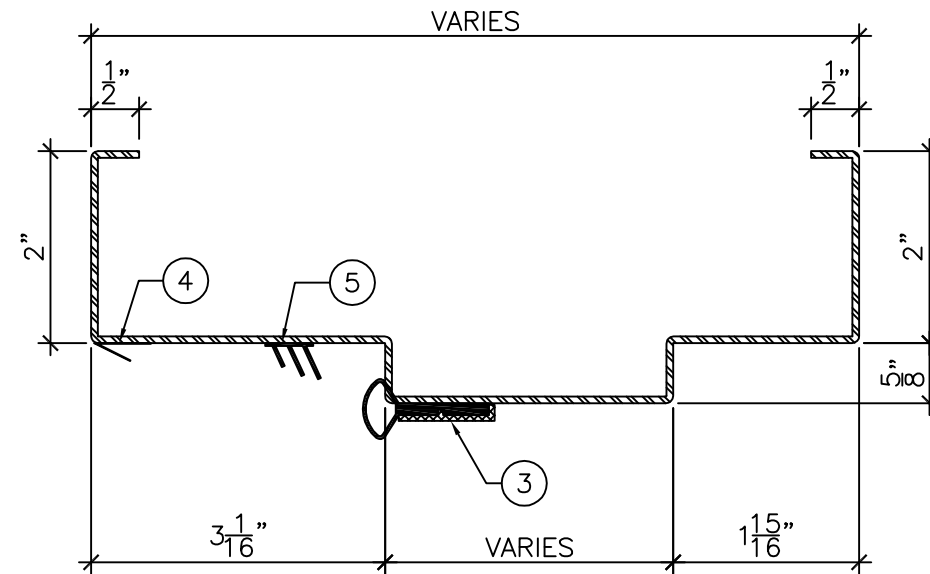


**ELEVATION**  
 $\frac{3}{4}'' = 1'-0''$

LEGEND:

1. FINISHED FLOOR COVERING MATERIAL.
2. PRESSED STEEL ACOUSTIC FRAME TO BE INSTALLED AT TOP LEVEL OF FINISHED FLOOR COVERING MATERIAL.  
 (DO NOT EMBED IN FLOOR FINISHING).
3. ACOUSTIC PERIMETER SEAL TO BE FITTED AND FASTENED TO JAMBS AND HEAD BY INSTALLER ON SITE.
4. BRONZE ACOUSTIC SEAL.
5. FINNED ACOUSTIC SEAL.



**DETAIL "A"**  
 $6'' = 1'-0''$



DRAWING TITLE:

**ACOUSTIC STEEL PAIRED FRAME AND PERIMETER SEALS FOR STEEL DOORS**  
**STC 54 TO STC 55**

DATE: OCTOBER 17, 2016

DRAWN BY: TWB

REVISION: 0