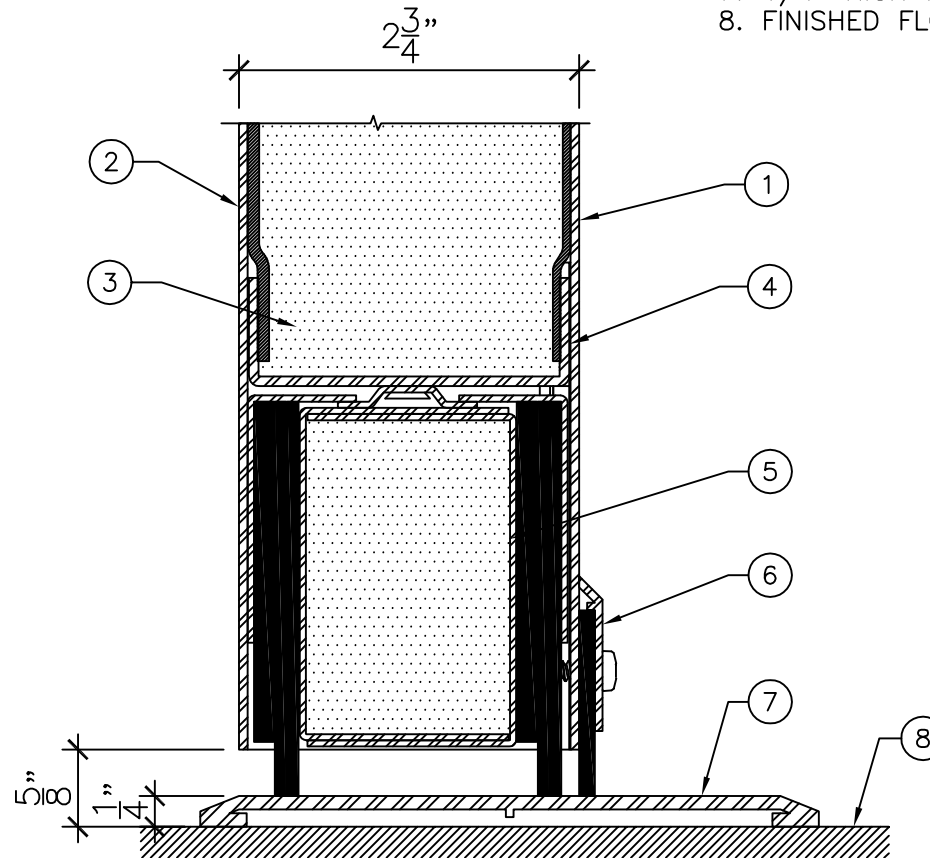


ELEVATION

3/4" = 1'-0"

LEGEND:

1. BACK SKIN.
2. FRONT SKIN.
3. ALL VOIDS FILLED WITH SOUND DEADENER.
4. BOTTOM CHANNEL.
5. MORTISED FIXED DOOR BOTTOM SEAL.
6. SURFACE SWEEP SEAL.
7. 1/4" HIGH FLAT THRESHOLD.
8. FINISHED FLOOR COVERING MATERIAL.



BOTTOM DETAIL "A"

1"-0" = 1"-0"



DRAWING TITLE:

**ACOUSTIC STEEL DOOR AND DOOR BOTTOM
STC 54 TO STC 55 PAIRS AND STC 54 TO STC 56 SINGLES**

DATE: OCTOBER 17, 2016

DRAWN BY: TWB

REVISION: 0