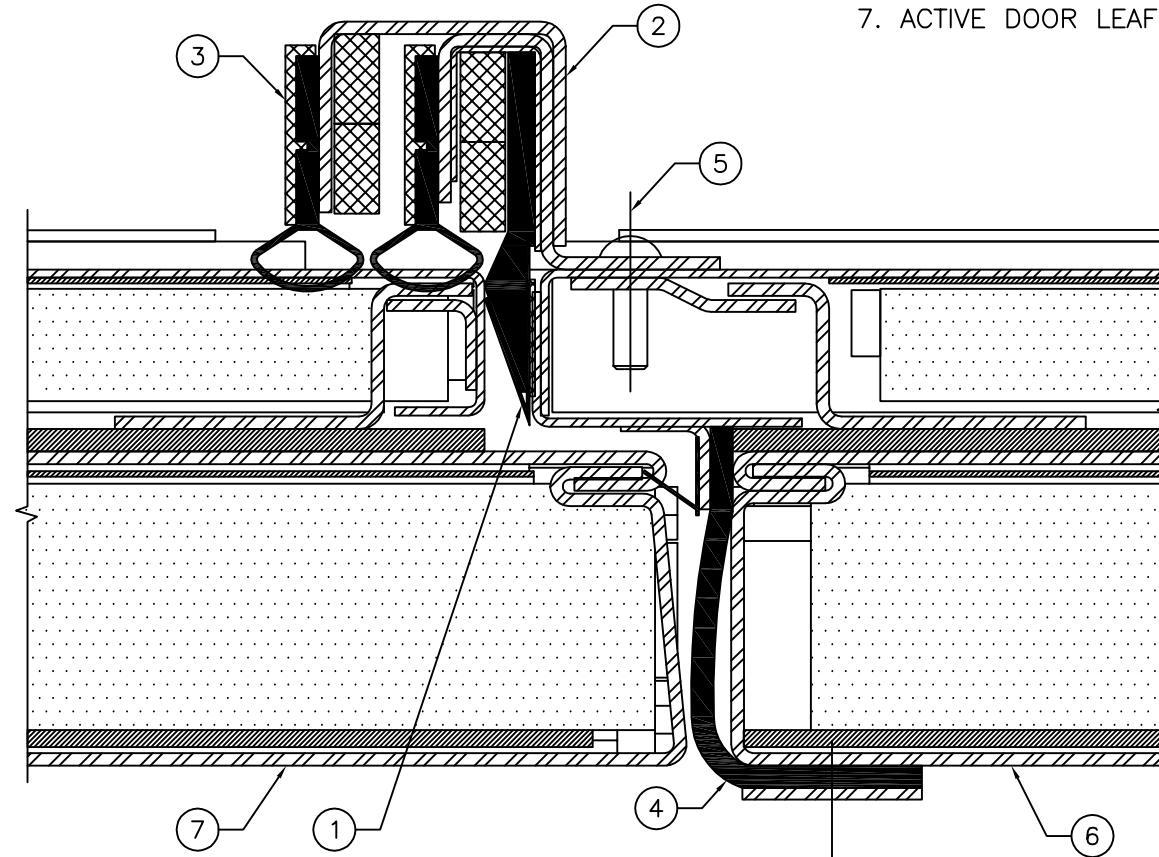


LEGEND:

1. BRONZE ACOUSTIC SEAL. MOUNT ON INSIDE EDGE OF INACTIVE LEAF.
2. 14GA ACOUSTIC ASTRAGAL FASTENED TO THE PUSH SIDE OF THE INACTIVE DOOR LEAF.
3. ACOUSTIC RUBBER SEAL.
4. NEOPRENE SEAL TO EXTEND BETWEEN DOORS. FIX TO PULL SIDE FACE WITH COVER PLATE & COUNTERSUNK SCREWS.
5. #10 PAN HEAD SCREWS.
6. INACTIVE DOOR LEAF.
7. ACTIVE DOOR LEAF.



ASTRAGAL SECTION

1'-0" = 1'-0"



DRAWING TITLE:

**ASTRAGAL FOR ACTIVE / INACTIVE DOOR
STC 56 TO STC 59**

DATE: OCTOBER 17, 2016

DRAWN BY: TWB

REVISION: 0