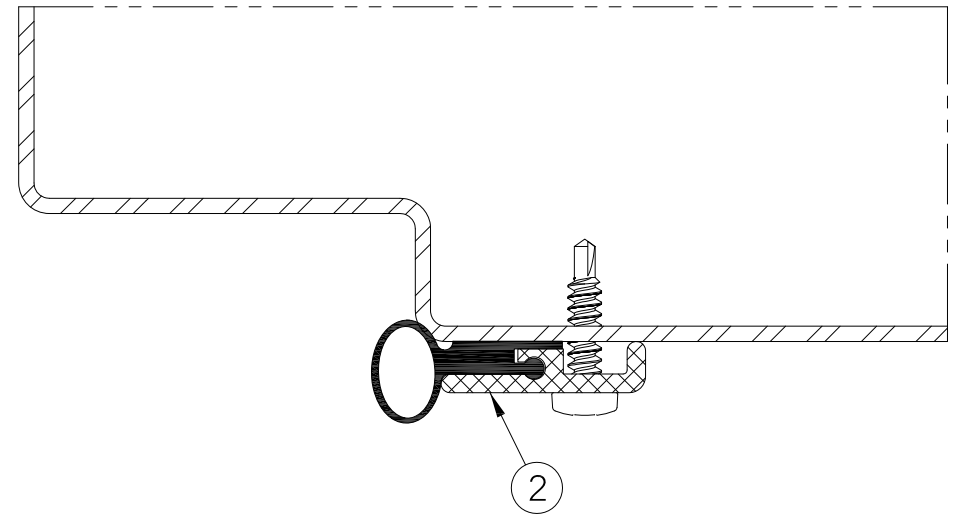


**JAMB SEAL**

LEGEND:

1. FLOOD RESISTANT THRESHOLD TO BE INSTALLED AT TOP LEVEL OF FINISHED FLOOR COVERING MATERIAL: SEE DOOR DRAWING FOR FURTHER DETAILS.
2. PERIMETER BULB SEAL TO BE FITTED AND FASTENED TO FRAME BY INSTALLER ON SITE.



**HEADER SEAL**



DRAWING TITLE:

**FLOOD RESISTANT UP TO 3' OF WATER FRAME AND SEALS FOR SEATED STEEL DOOR(S)**

DATE: 2020/11/13

DRAWN BY: ASC

REVISION: 0