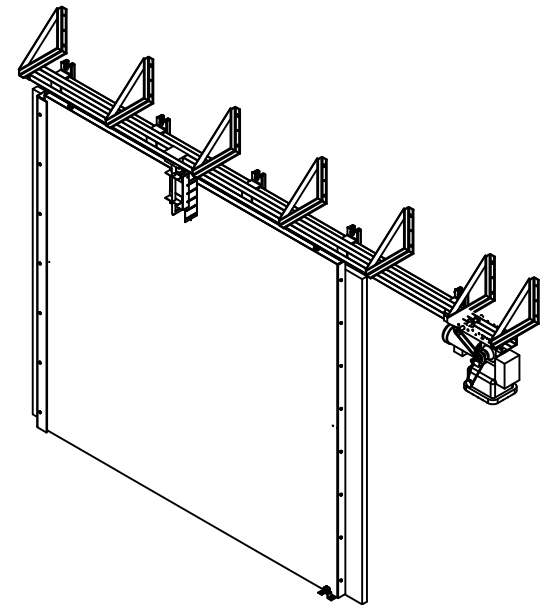


NOTES:

- SLIDING BLAST DOOR COMES WITH:
 - TRACK ASSEMBLY, TRACK BRACKETS, DOOR HANGERS AND WHEEL ASSEMBLIES
 - LEADING, FOLLOWING AND TOP OF WALL RETENTION BRACKETS,
 - DOOR STOP, STAY ROLLER CASTER WHEELS, ANCHOR BOLTS AND FASTENERS
 - OPERATOR AND ACCOMPANYING INTERCONNECT ASSEMBLY OPTIONAL
 - VALENCE COVER OPTIONAL (NOT SHOWN)

CLEAR WALL REQUIREMENTS:

THE NUMBER OF TRACK BRACKETS AND THE TRACK LENGTHS ARE APPROXIMATE AND DEPEND ON THE SIZE OF THE ROUGH OPENING. PLEASE CONSULT AMBICO FOR EXACT SLIDING DOOR DETAILS



ISOMETRIC VIEW
NOT TO SCALE

ELEVATION
 $3/8'' = 1'-0''$
SLIDE RIGHT TO OPEN SHOWN



DRAWING TITLE:
TYPICAL BLAST RESISTANT STEEL SLIDING DOOR FOR PETROCHEMICAL AND INDUSTRIAL APPLICATIONS
ELEVATION

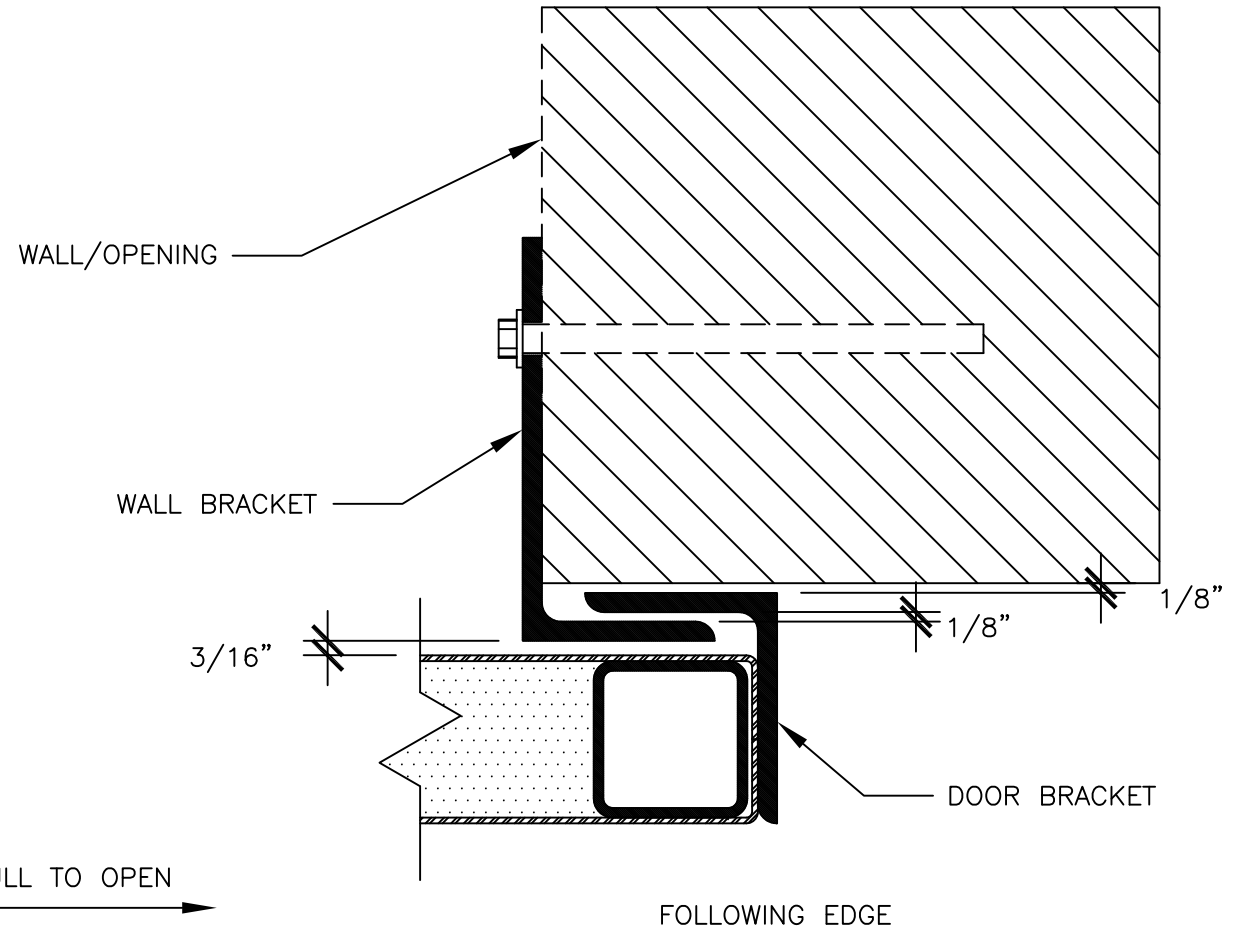
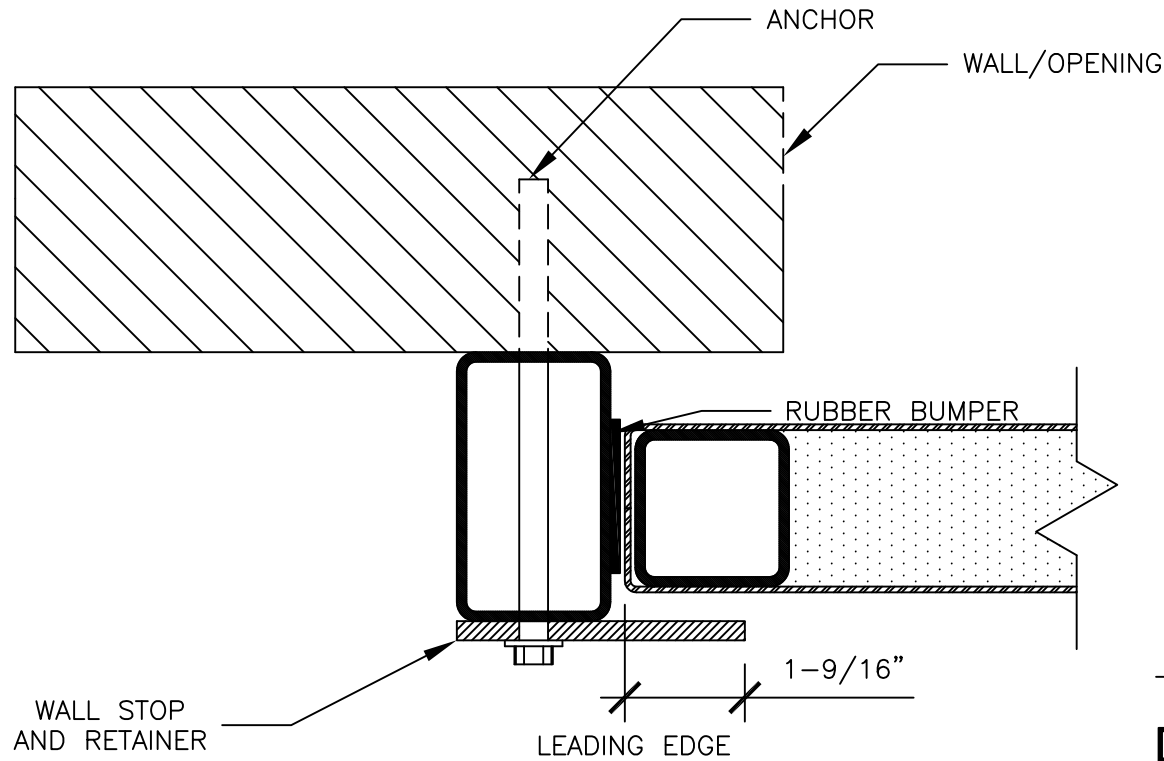
DATE:	03/19/2021
DRAWN BY:	ASC
REVISION:	1

TYPICAL BENCHMARKS FOR SEATED OPENINGS*

DOOR SIZE	MAXIMUM OVERPRESSURE (psi)	MAXIMUM PEAK REFLECTED PRESSURE (psi)	DURATION (msec)	IMPULSE (psi-msec)
3' x 7'	8	19.20	200	800
4' x 8'	5	11.25	200	500
6' x 7'	3	6.45	200	800

*NOTE:

- BLAST RESISTANCE IS A FUNCTION OF MULTIPLE VARIABLES. PLEASE CONSULT AMBICO FOR DETERMINATION OF A SUITABLE BLAST DOOR FOR YOUR APPLICATION.



DETAIL "A"
6" = 1'-0"



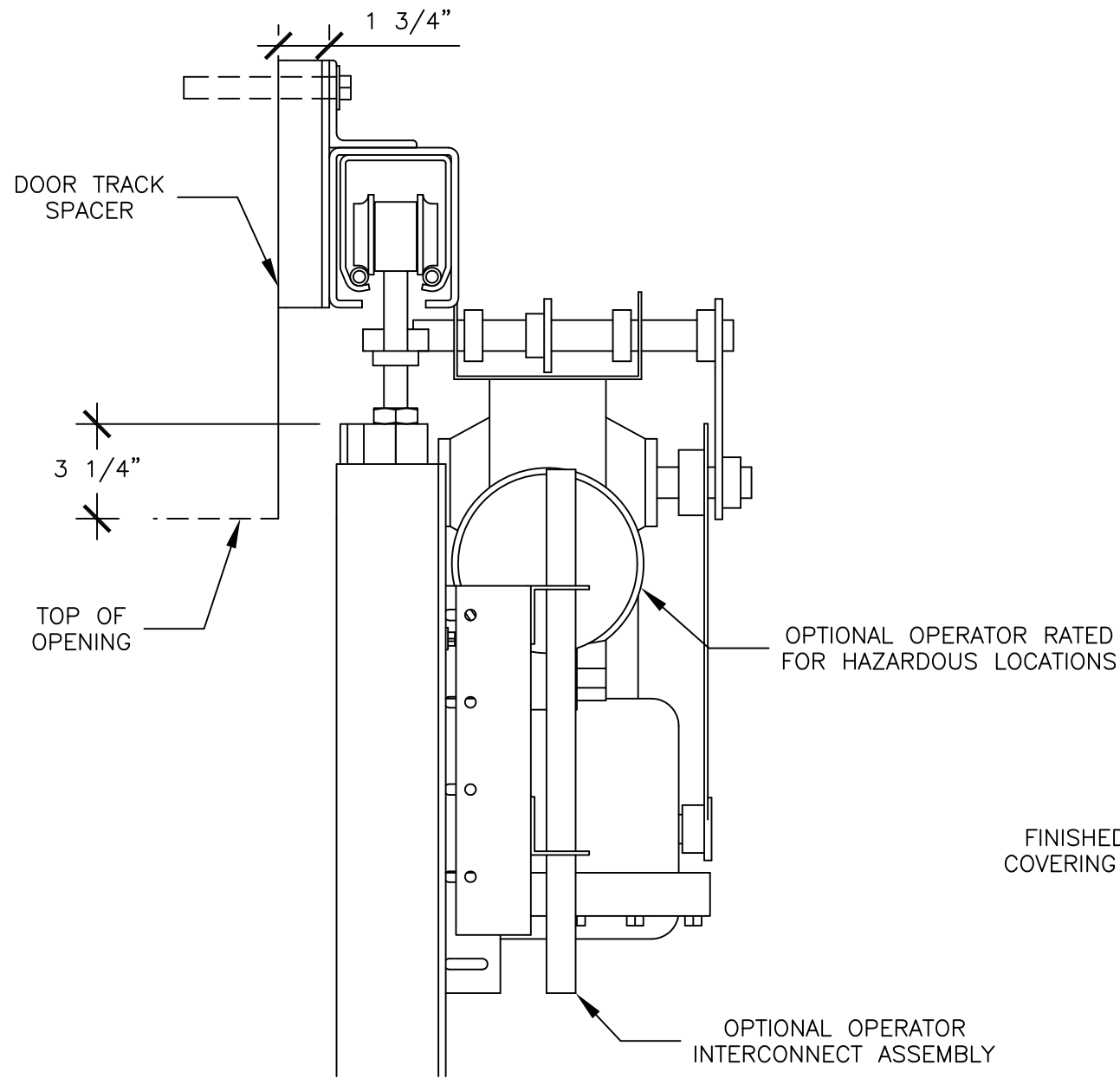
DRAWING TITLE:

TYPICAL BLAST RESISTANT STEEL SLIDING DOOR FOR PETROCHEMICAL AND INDUSTRIAL APPLICATIONS
HORIZONTAL SECTIONS

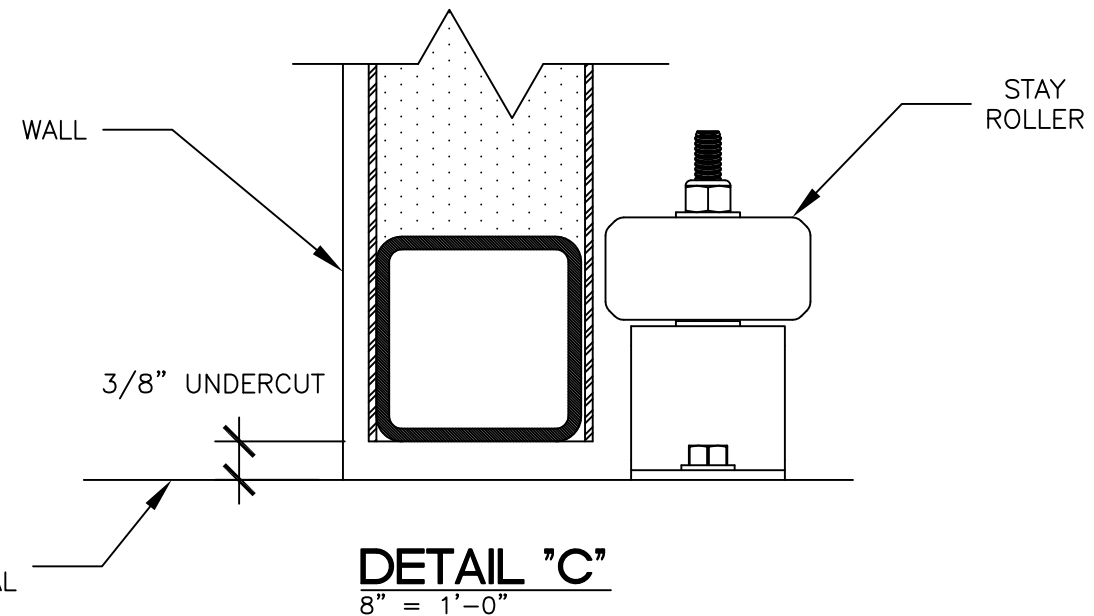
DATE: 03/19/2021

DRAWN BY: ASC

REVISION: 1



DETAIL "B"
4-1/2" = 1'-0"



DRAWING TITLE:

TYPICAL BLAST RESISTANT STEEL SLIDING DOOR FOR PETROCHEMICAL AND INDUSTRIAL APPLICATIONS
VERTICAL SECTIONS

DATE: 03/19/2021

DRAWN BY: ASC

REVISION: 1