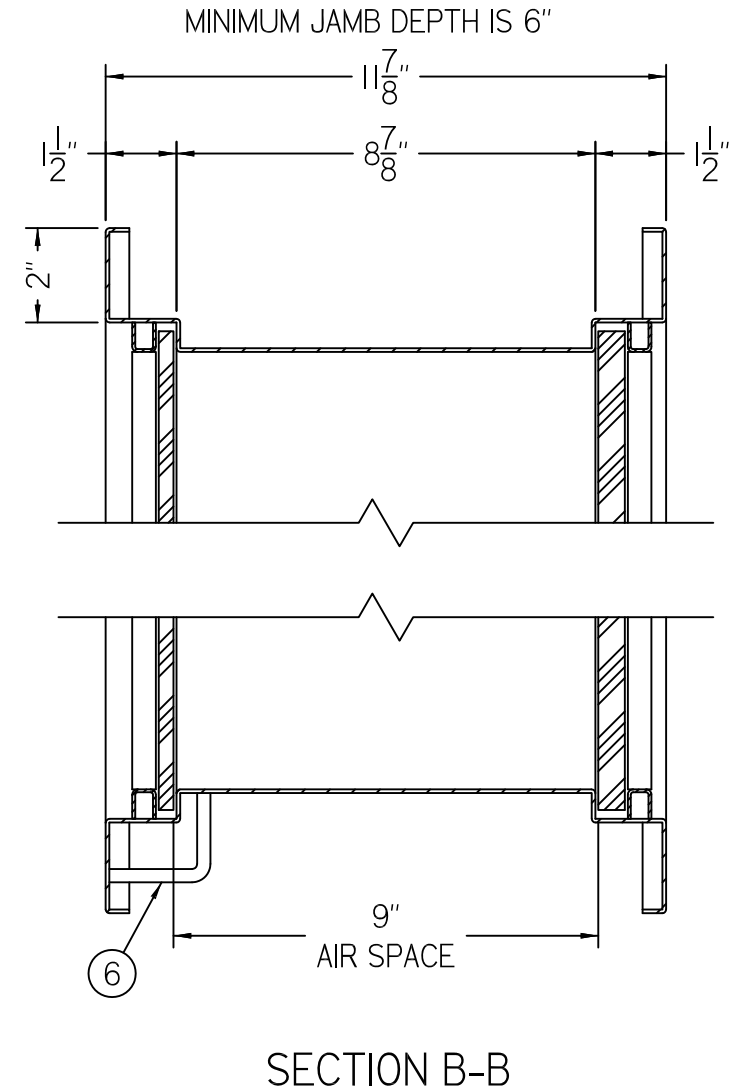
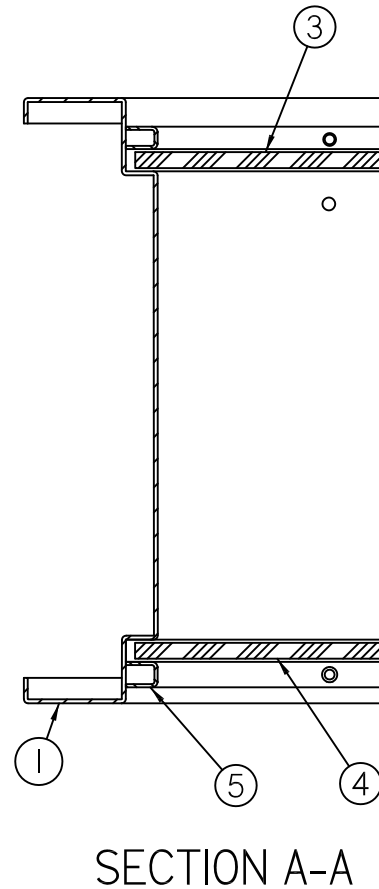
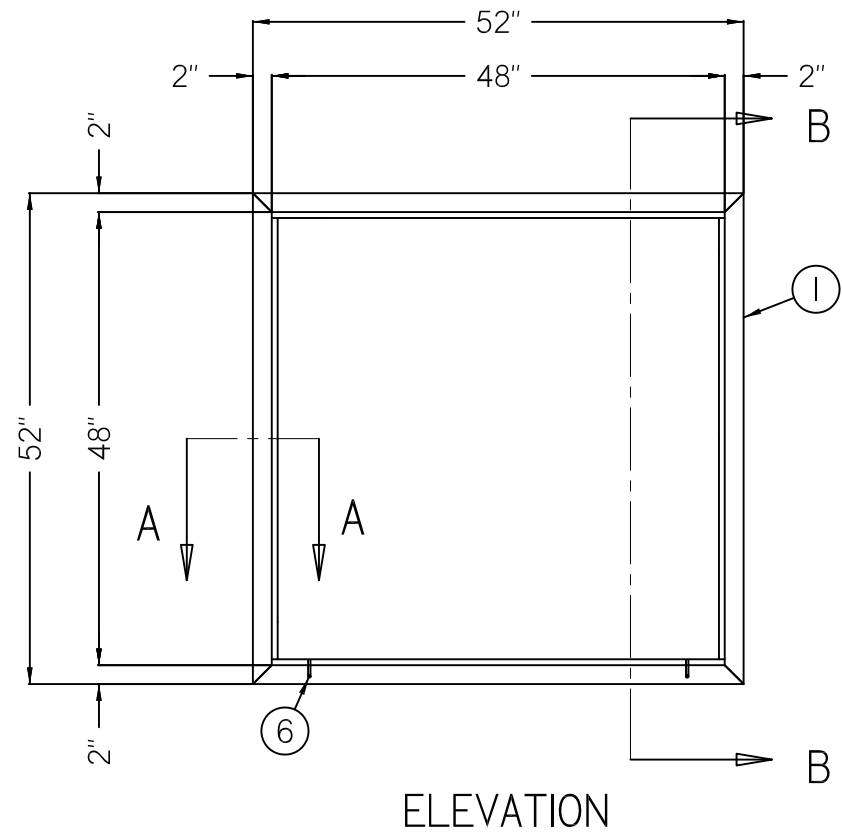


LEGEND:

- 1. ACOUSTIC STEEL FRAME
- 2. ABSORPTION CHAMBER.
- 3. CLEAR ACOUSTIC LAMINATED GLASS
- 4. CLEAR ACOUSTIC LAMINATED GLASS
- 5. REMOVABLE BEADS.
- 6. PURGING PORTS (2) PLACES.



NOTE: ACOUSTIC STEEL BORROWED LITES CAN BE ENLARGED IN SIZE - CONSULT FACTORY

ACOUSTIC STEEL BORROWED LITE UNIT STC - 46

JOB NO:

SHEET:

OF: