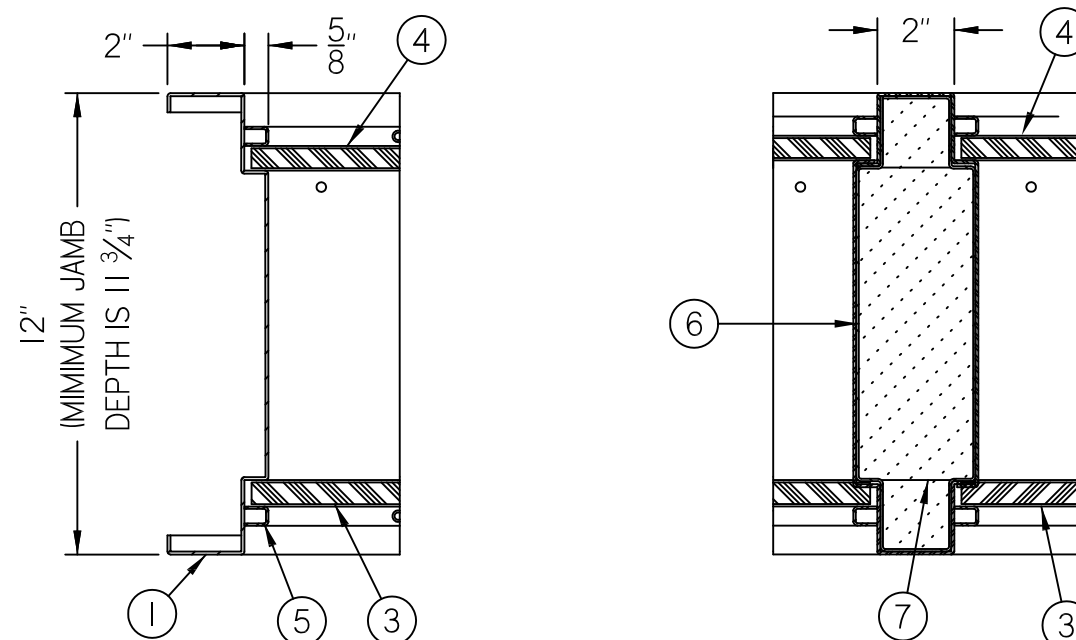
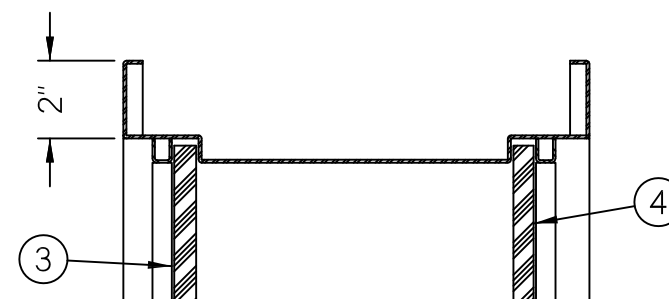


ELEVATION

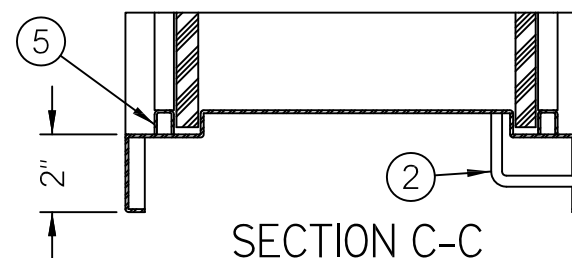


SECTION A-A

SECTION B-B



SECTION D-D



SECTION C-C

LEGEND:

1. ACOUSTIC STEEL FRAME.
2. PURGING PORTS (4 PLACES).
3. CLEAR LAMINATED GLASS BY AMBICO.
4. CLEAR LAMINATED GLASS BY AMBICO.
5. REMOVABLE BEADS.
6. ACOUSTIC LINING.
7. CAVITY FILLING.

NOTE: ACOUSTIC STEEL BORROWED LITES CAN BE ENLARGED IN SIZE - CONSULT FACTORY

ACOUSTIC STEEL BORROWED LITE (2-BANK) UNIT STC- 56

JOB NO:

SHEET:

OF: