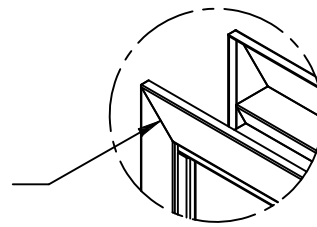


ELEVATION

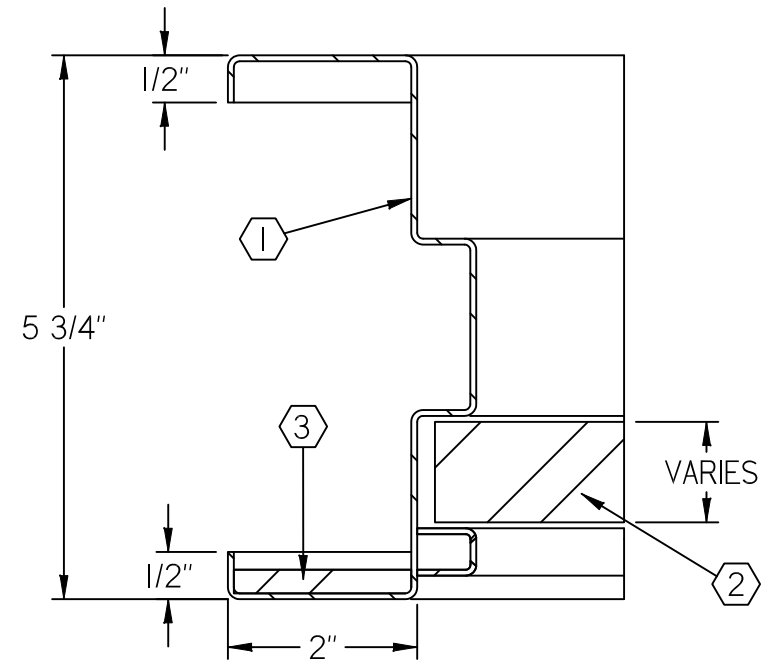


LEGEND:

1. PRESSED STEEL BULLET RESISTANT FRAME.
2. BULLET RESISTANT GLASS TO UL 752 BY AMBICO.
3. ARMOUR SHIELD PLATE TO UL752 LEVEL ---.

NOTE

GLASS THICKNESS CHANGES WITH BULLET RATING.



SECTION A-A