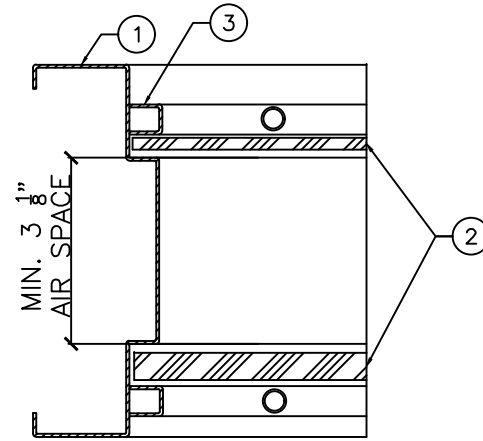
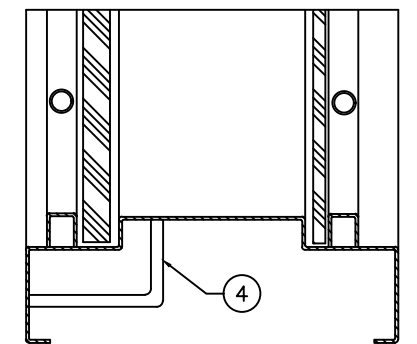
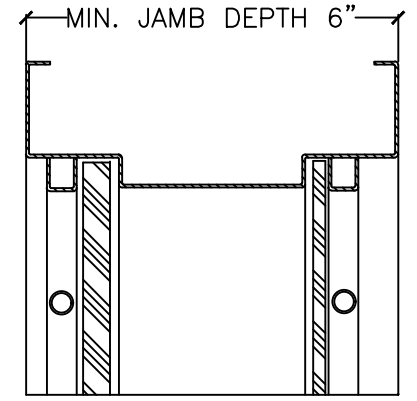


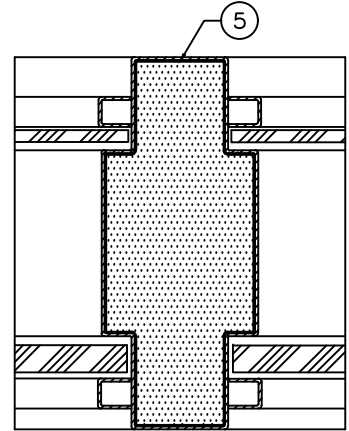
**ELEVATION**  
 $1/2'' = 1'-0''$



**DETAIL "B"**  
 $3''-0'' = 1'-0''$



**DETAIL "C"**  
 $3''-0'' = 1'-0''$



**DETAIL "A"**  
 $3''-0'' = 1'-0''$

LEGEND:

- 1. ACOUSTIC STEEL FRAME
- 2. CLEAR ACOUSTIC LAMINATED GLASS
- 3. REMOVABLE GLAZING BEADS
- 4. PURGE PORTS - 4 PLACES
- 5. ACOUSTIC LINING



DRAWING TITLE:  
**ACOUSTIC BORROWED LITE - SINGLE UNIT**  
**STC 46**

DATE:	-
DRAWN BY:	-
REVISION:	