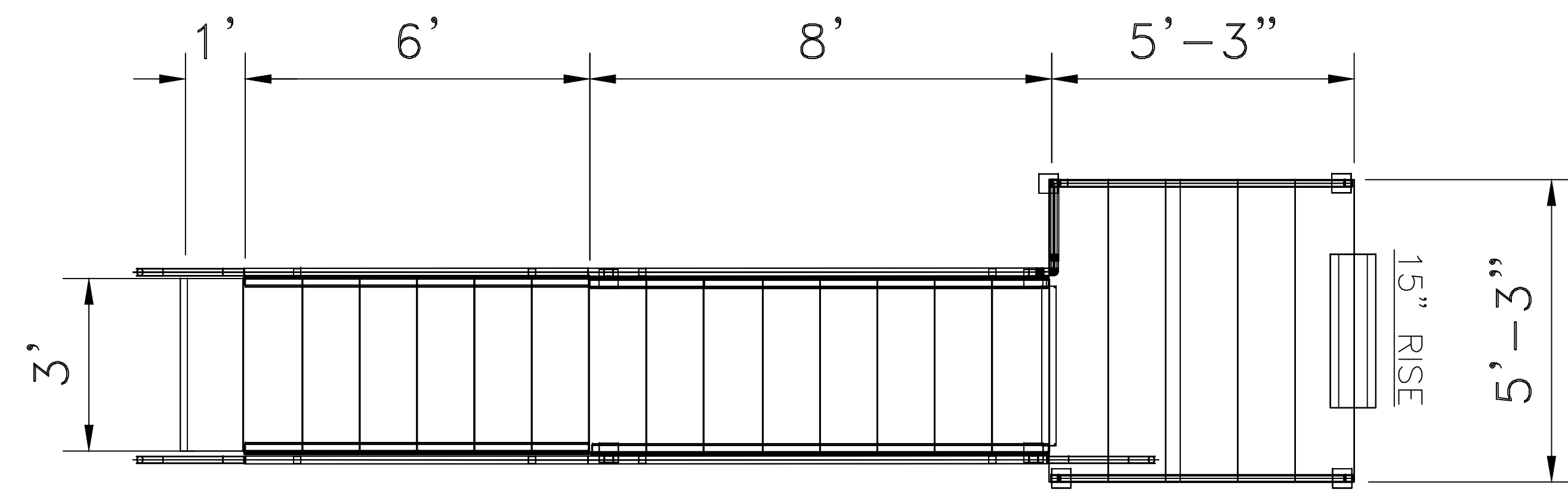
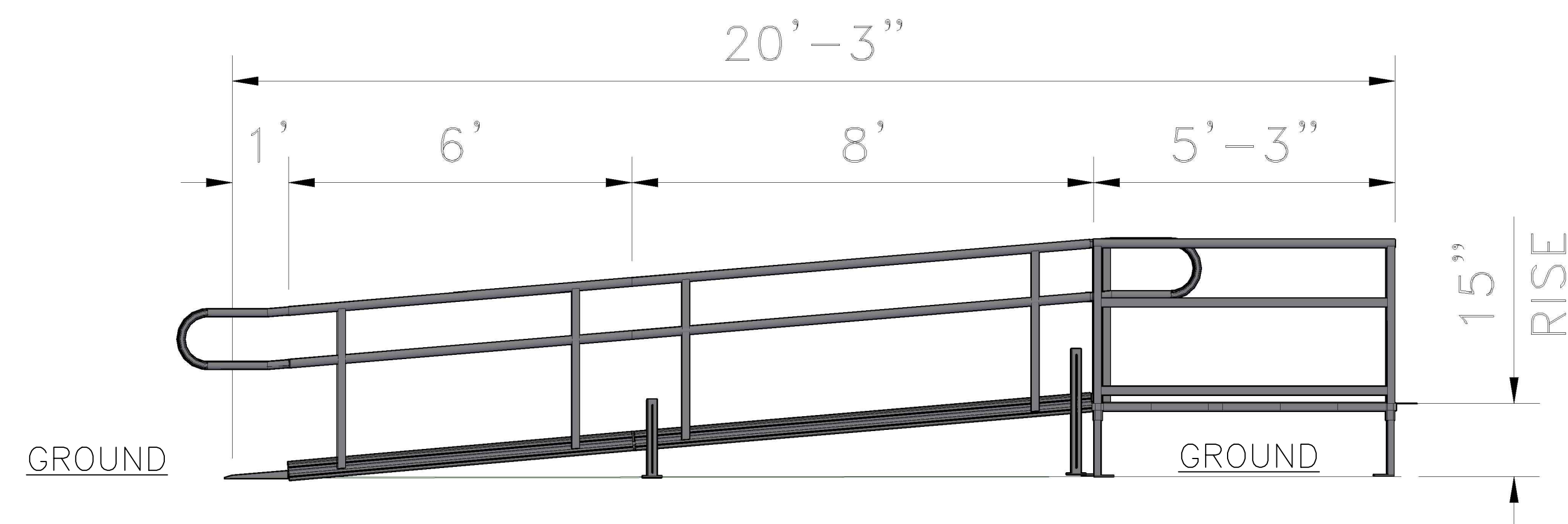


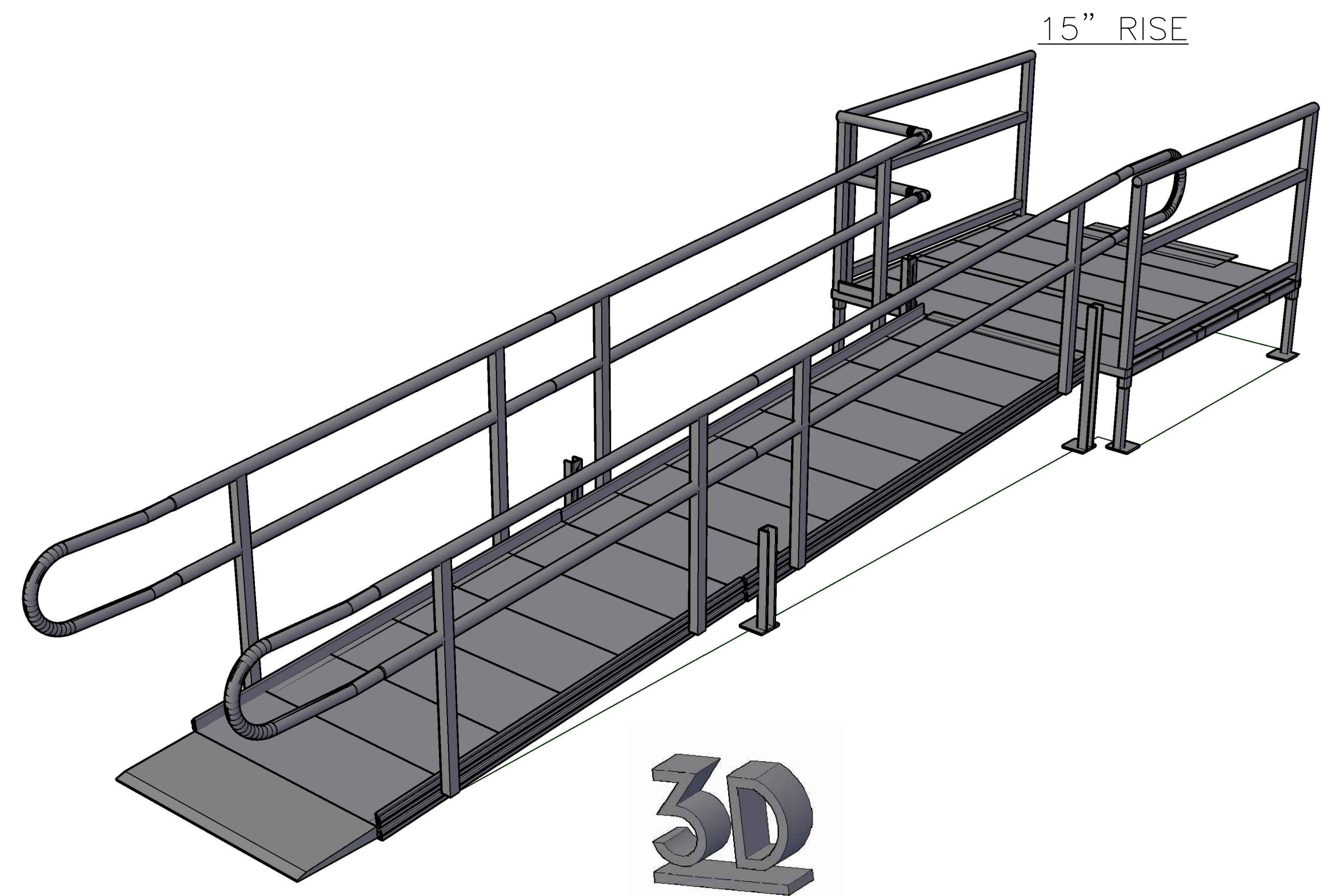
12/12/2019 10:34 AM N:\cad\ESTIMATOR DRAWINGS\PATRIOT RAMP RESIDENTIAL 15RISE 15FT DRAWING.dwg



PLAN
SCALE: 1/2"=1'-0"



SIDE ELEVATION
SCALE: 1/2"=1'-0"



REVISIONS	BY



AMERICAN ACCESS INC.
 3150 STAGE POST DRIVE, SUITE 101
 BARTLETT, TN 38133
 888-790-9269 TOLL FREE
 866-734-7267 FAX
 WWW.AARAMPS.COM

PATRIOT RAMP RESIDENTIAL 15RISE 15FT
 DRAWING

DRAWN DC
CHECKED GS
DATE 12.12.2019
SCALE
JOB NO.