

1: GLAZING MATERIAL

	INNER	OUTER
TEMPERED	<input type="checkbox"/>	<input type="checkbox"/>
LAMINATED	<input type="checkbox"/>	<input type="checkbox"/>
TEMPERED & LAMINATED	<input type="checkbox"/>	<input type="checkbox"/>
OVERALL GLASS THICKNESS	3/4"	<input type="checkbox"/>
	1"	<input type="checkbox"/>
OTHERS _____		

2: GLAZING COLOR

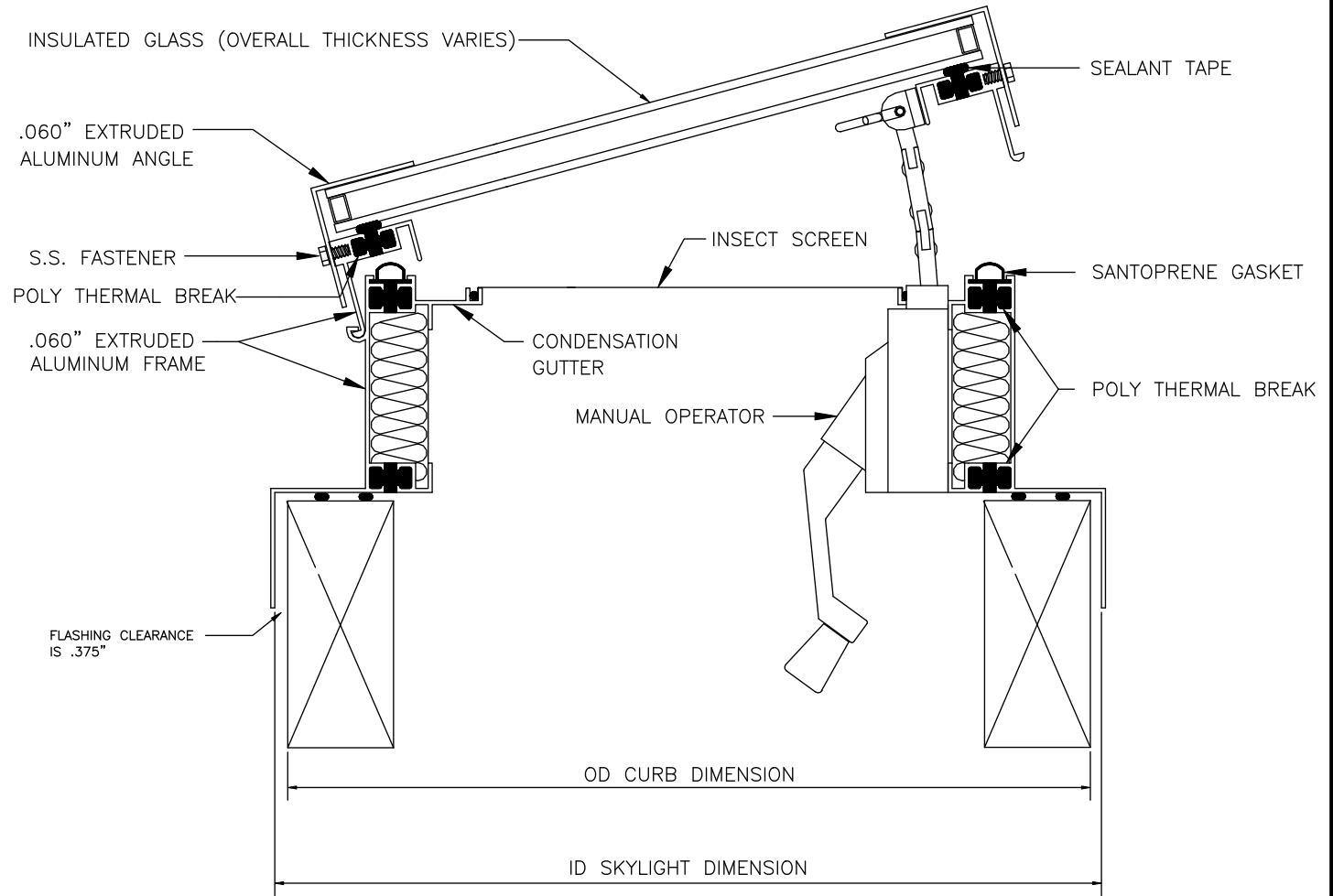
CLEAR	<input type="checkbox"/>	<input type="checkbox"/>
BRONZE	N/A	<input type="checkbox"/>
LOW "E"	<input type="checkbox"/>	<input type="checkbox"/>
ARGON GAS FILLED		<input type="checkbox"/>

3: FRAME FINISH

MILL	<input type="checkbox"/>
BRONZE ANODIZED	<input type="checkbox"/>
CLEAR ANODIZED	<input type="checkbox"/>
CUSTOM COLOR _____	

FOR CURB MOUNT SKYLIGHTS PROVIDE
OUTSIDE DIMENSION OF FINISHED CURB

QTY:	OD CURB =	X
QTY:	OD CURB =	X
QTY:	OD CURB =	X
QTY:	OD CURB =	X
QTY:	OD CURB =	X



GLASS THERMALLY BROKEN & INSULATED VENTING CURB MOUNT
(MODEL GTVCM)

MINIMUM 3/12 PITCH REQUIRED



AMERICAN SKYLIGHTS

Phone: 855.772.7401 Fax: 855.445.7282