

1: GLAZING MATERIAL

	INNER	OUTER
ACRYLIC DOME	<input type="checkbox"/>	<input type="checkbox"/>
POLYCARBONATE DOME	<input type="checkbox"/>	<input type="checkbox"/>

2: GLAZING COLOR

CLEAR	<input type="checkbox"/>	<input type="checkbox"/>
BRONZE	N/A	<input type="checkbox"/>
WHITE	<input type="checkbox"/>	<input type="checkbox"/>
OTHER _____		

3: FRAME FINISH

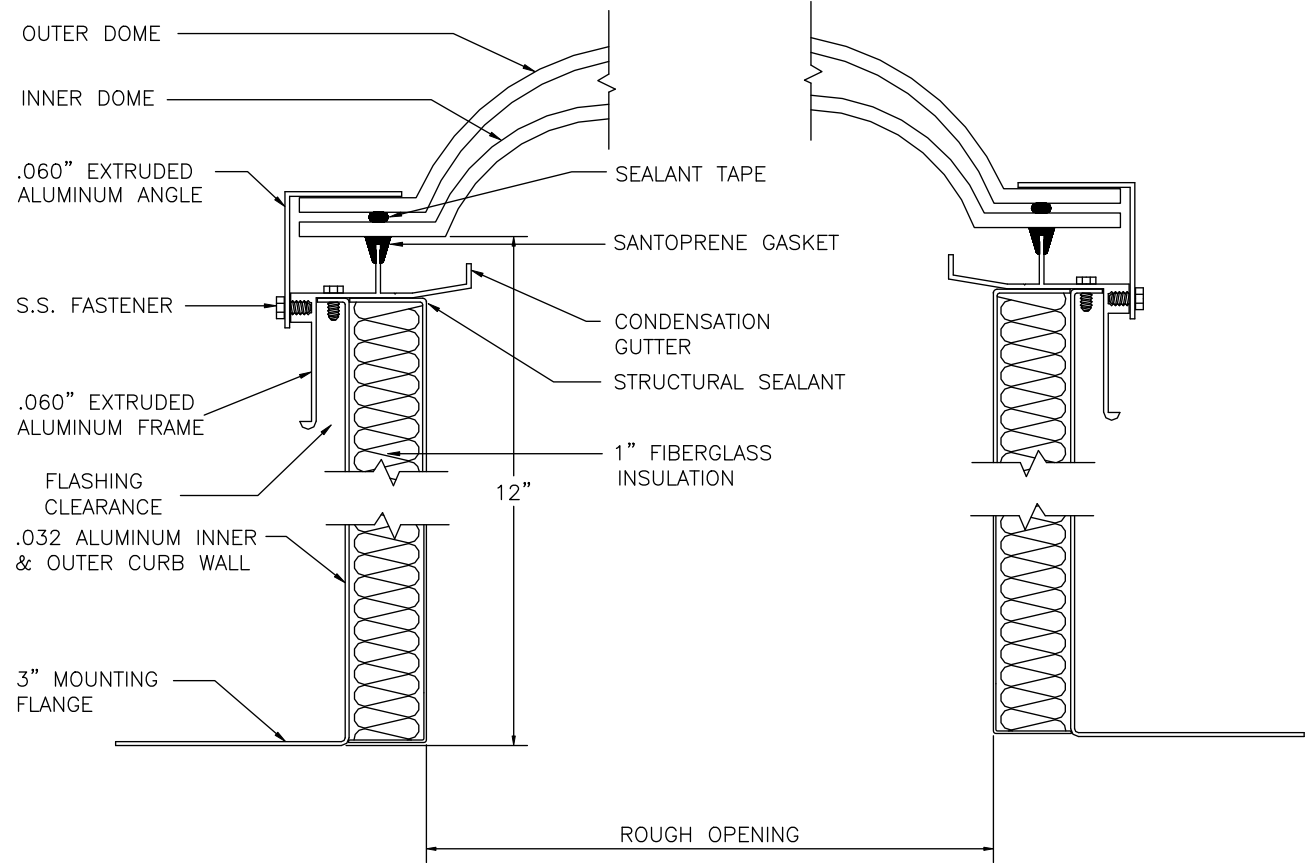
MILL	<input type="checkbox"/>
BRONZE ANODIZED	<input type="checkbox"/>
CLEAR ANODIZED	<input type="checkbox"/>
CUSTOM COLOR _____	

4: PYRAMID PITCH (OPTIONAL)

22 DEGREE (1/2 WIDTH X .414)	<input type="checkbox"/>
30 DEGREE (1/2 WIDTH X .577)	<input type="checkbox"/>
40 DEGREE (1/2 WIDTH X .839)	<input type="checkbox"/>

FOR SELF FLASHING SKYLIGHTS PROVIDE
ROUGH OPENING OR ID OF SKYLIGHT DIMENSION

QTY:	R.O. =	X
QTY:	R.O. =	X
QTY:	R.O. =	X
QTY:	R.O. =	X
QTY:	R.O. =	X



12" INSULATED SELF FLASHING
(MODEL ISF-12)



AMERICAN SKYLIGHTS

Phone: 855.772.7401 Fax: 855.445.7282