

3/4" WALL BRACKET

- (2) #14x 1 1/2" S.M.S.
- (2) #14x 1 3/8" PLASTIC ANCHORS (TO MOUNT BRACKET TO WALL)
- (1) 3/4" THRU-BOLT SET-5/8" BLIND NUT W/ 1/2" SHOULDER BOLT (TO MOUNT BRACKET TO STILE)

1/2" WALL BRACKET

- (2) #14x 1 1/2" S.M.S.
- (2) #14x 1 3/8" PLASTIC ANCHORS (TO MOUNT BRACKET TO WALL)
- (1) 1/2" THRU-BOLT SET-1/2" BLIND NUT W/ 3/8" NO SHOULDER BOLT (TO MOUNT BRACKET TO PANEL)

1/2" x 58" "U" CHANNEL

- (6) 1/2" THRU-BOLT SETS-5/8" BLIND NUT W/ 3/8" NO SHOULDER BOLT (TO MOUNT "U" CHANNEL TO STILE)
- (6) 1/2" THRU-BOLT SETS-1/2" BLIND NUT W/ 3/8" NO SHOULDER BOLT (TO MOUNT "U" CHANNEL TO PANEL)

1/2" URINAL SCREEN BRACKET

- (2) #14x 1 1/2" S.M.S.
- (2) #14x 1 3/8" PLASTIC ANCHORS (TO MOUNT BRACKET TO WALL)
- (2) 1/2" THRU-BOLT SETS-1/2" BLIND NUT W/ 3/8" NO SHOULDER BOLT (TO MOUNT BRACKET TO URINAL SCREEN)

1/2" "U" BRACKETS

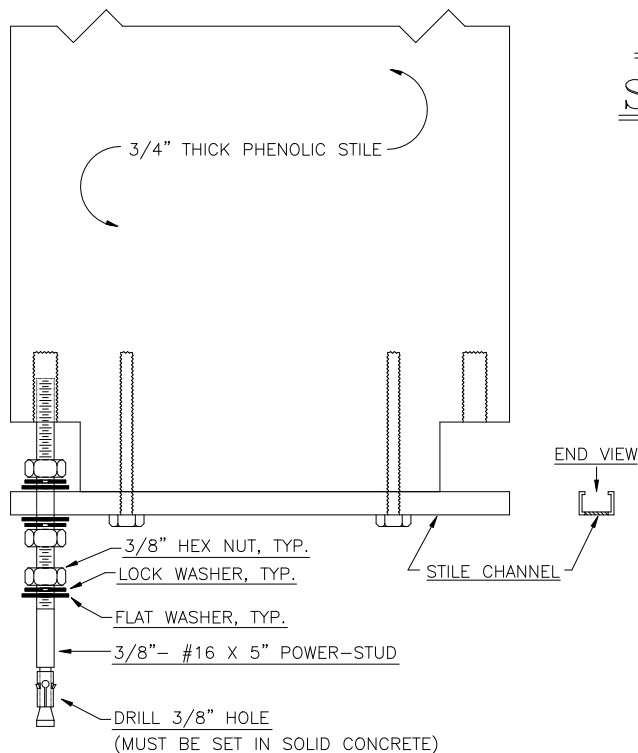
- (2) #14x 5/8" S.M.S.
- (TO MOUNT "U" BRACKETS TO 1 1/4" POST)
- (1) 1/2" THRU-BOLT SET-1/2" BLIND NUT W/ 3/8" NO SHOULDER BOLT (TO MOUNT "U" BRACKET TO URINAL SCREEN)

REDUCTION BRACKETS (1 PAIR)

- (1) 3/4" THRU-BOLT SET-3/4" BLIND NUT W/ 1/2" SHOULDER BOLT (TO MOUNT BRACKET TO PANEL)
- (1) 1" THRU-BOLT SET-1/2" BLIND NUT W/ 1/2" SHOULDER BOLT (TO MOUNT BRACKET TO STILE)

HARDWARE LOCATION DETAIL

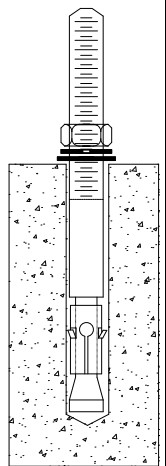
PHENOLIC FLOOR STILE  
STILE ANCHOR ASSEMBLY



BLOW HOLE CLEAN OF DUST AND OTHER MATERIAL. DO NOT EXPAND THE ANCHOR PRIOR TO INSTALLATION

POSITION THE WASHER AND LOCK WASHER ON THE ANCHOR AND THREAD ON THE NUT. DRIVE THE ANCHOR THROUGH THE FIXTURE INTO THE ANCHOR HOLE UNTIL THE NUT AND WASHER ARE FIRMLY SEATED AGAINST THE FIXTURE.

TIGHTEN THE ANCHOR BY TURNING THE NUT 3 TO 5 TURNS PAST FINGER TIGHT OR BY APPLYING THE GUIDE INSTALLATION TORQUE (20ft.lbs.) FROM THE FINGER TIGHT POSITION



REVISED 8/5/2008

AMERICAN SANITARY PARTITION CORPORATION  
300 ENTERPRISE STREET  
OCOOE, FLORIDA 34761  
PHONE (407)656-0611 FAX (407)656-8189