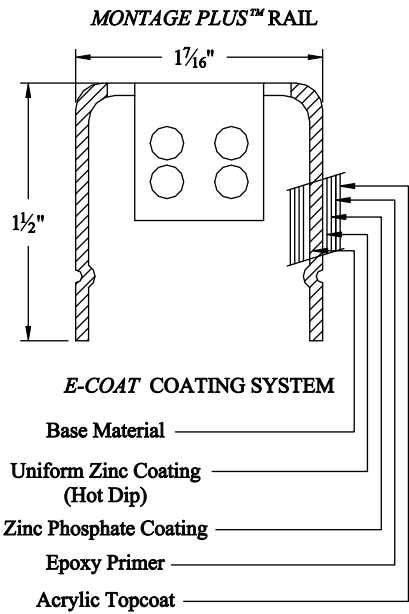


NOTES:

- 1.) Post size depends on fence height and wind loads. See *MONTAGE PLUS™* specifications for post sizing chart.
- 2.) Forth rail optional.
- 3.) 7' - 8' Heights will require a 14ga Picket & 14ga Post.

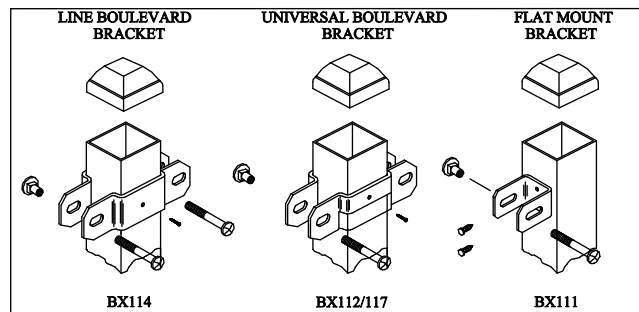
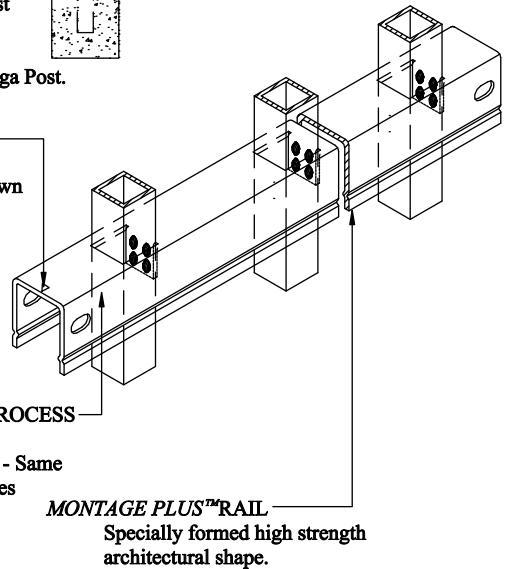
RAKING DIRECTIONAL ARROW

Welded panel can be raked 30" over 8' with arrow pointing down grade.



PROFUSION™ WELDING PROCESS

No exposed welds,
Good Neighbor profile - Same appearance on both sides



**COMMERCIAL STRENGTH WELDED STEEL PANEL
PRE-ASSEMBLED**

| | | | |
|---|-------------|---------------------|--|
| Title: MONTAGE COMMERCIAL CLASSIC 3/4-RAIL | | | |
| DR: RTM | SH . 1 of 1 | SCALE: DO NOT SCALE | |
| CK: ME | Date 6/2/08 | REV: b | |



AMERISTAR™

1555 N. Mingo
Tulsa, OK 74116
1-888-333-3422
www.ameristarfence.com