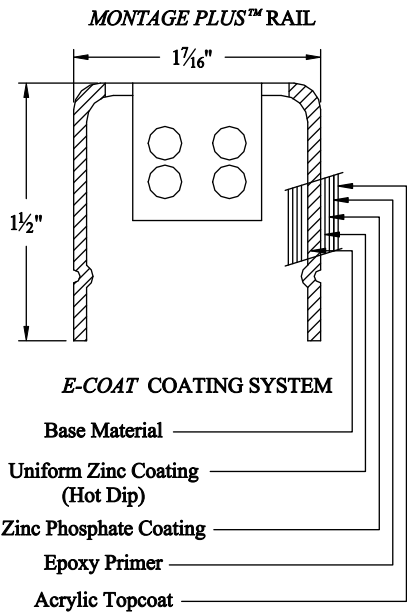


**NOTES:**

- 1.) Post size depends on fence height and wind loads. See *MONTAGE PLUS™* specifications for post sizing chart.
- 2.) Third rail required for *Double Rings*.
- 3.) Available in 3" air space and/or Flush Bottom on most heights.

**RAKING DIRECTIONAL ARROW**

Welded panel can be raked 30" over 8' with arrow pointing down grade.

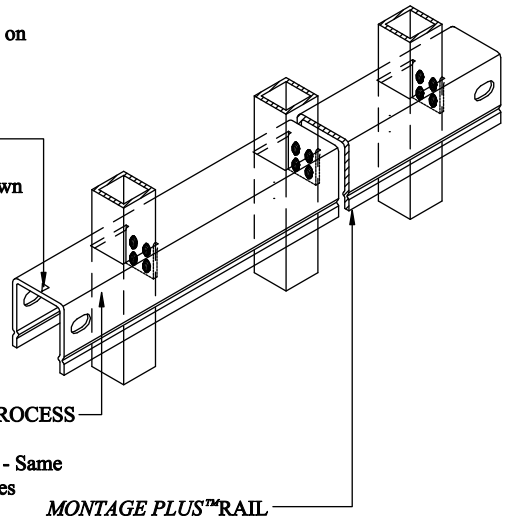


**E-COAT COATING SYSTEM**

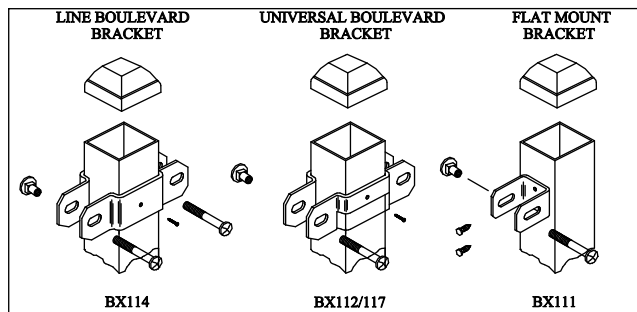
- Base Material
- Uniform Zinc Coating (Hot Dip)
- Zinc Phosphate Coating
- Epoxy Primer
- Acrylic Topcoat

**PROFUSION™ WELDING PROCESS**

No exposed welds,  
Good Neighbor profile - Same appearance on both sides



**MONTAGE PLUS™ RAIL**  
Specially formed high strength architectural shape.



**COMMERCIAL STRENGTH WELDED STEEL PANEL  
PRE-ASSEMBLED**

Title: <b>MONTAGE PLUS CLASSIC 2/3-RAIL</b>			
DR: CI	SH . 1 of 1	SCALE: DO NOT SCALE	
CK: ME	Date 7/20/09	REV: d	



**AMERISTAR®**

1555 N. Mingo  
Tulsa, OK 74116  
1-888-333-3422  
www.ameristarfence.com