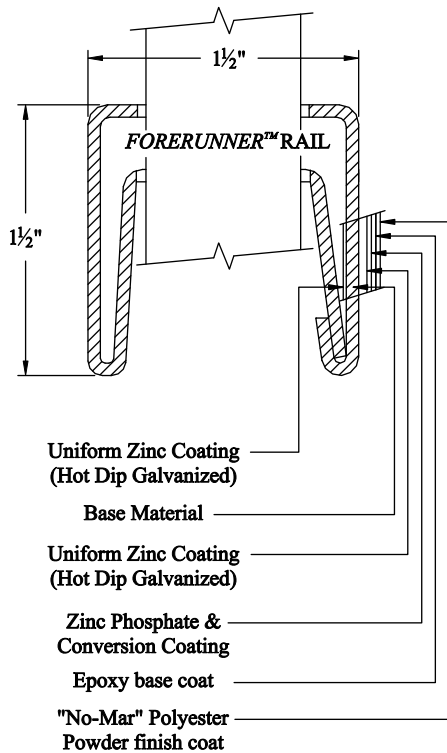


NOTES:

- 1.) Post size depends on fence height and wind loads. See *AEGIS Plus™* post sizing chart.
- 2.) Panels also available for 6' on center post spacing
- 3.) Additional heights available on request
- 4.) Third rail optional (Required with rings, See Detail).

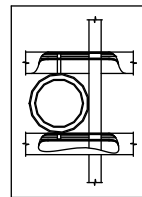


RING OPTION

Held in place with upper and lower internal retaining rods to eliminate unsightly external fasteners.

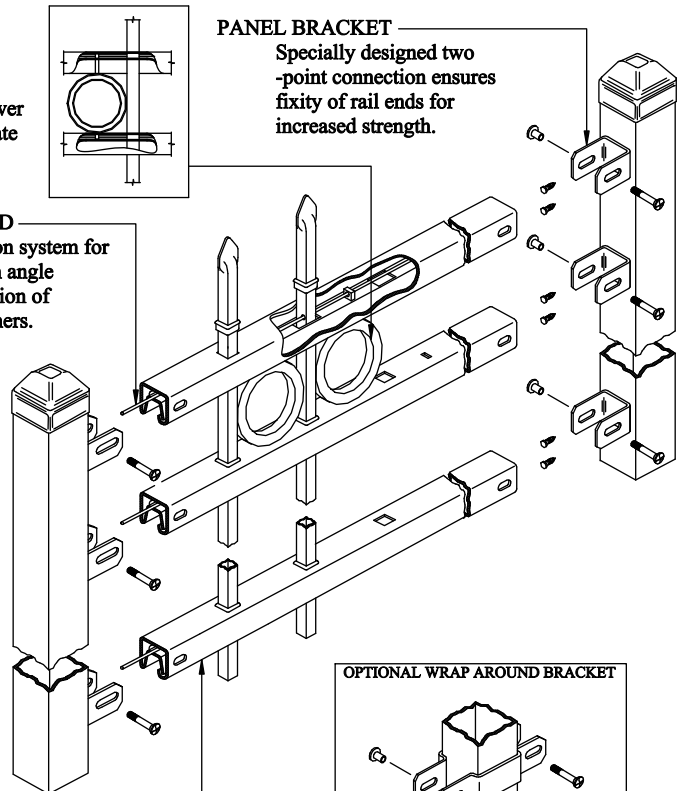
INTERNAL RETAINING ROD

Variable pitch connection system for ease of installation, high angle bias ability and elimination of unsightly external fasteners.



PANEL BRACKET

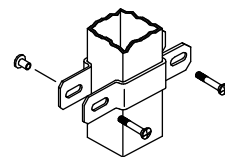
Specially designed two-point connection ensures fixity of rail ends for increased strength.



FORERUNNER™ RAIL

Double-walled "U"-Channel Specially formed high strength architectural shape.

OPTIONAL WRAP AROUND BRACKET



COMMERCIAL STRENGTH STEEL

Title: **AEGIS PLUS CLASSIC 2/3-RAIL W/RING OPTION**

DR: CI	SH . 1 of 1	SCALE: DO NOT SCALE
CK: PB	Date 7/20/09	REV: d



AMERISTAR®

1555 N. Mingo
Tulsa, OK 74116
1-888-333-3422
www.ameristarfence.com