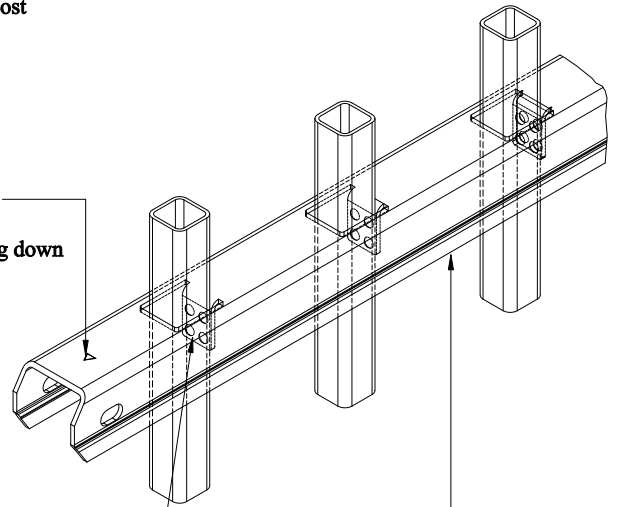


NOTES:

- 1.) Post size depends on fence height and wind loads. See *MONTAGE II™* specifications for post sizing chart and dimensions.
- 2.) Third & Forth rail optional.
- 3.) Available in Flush Bottom.

RAKING DIRECTIONAL ARROW

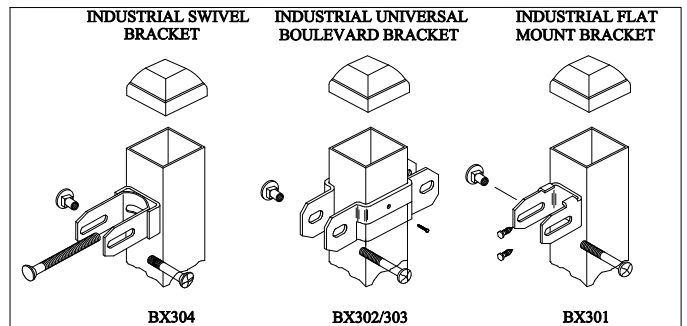
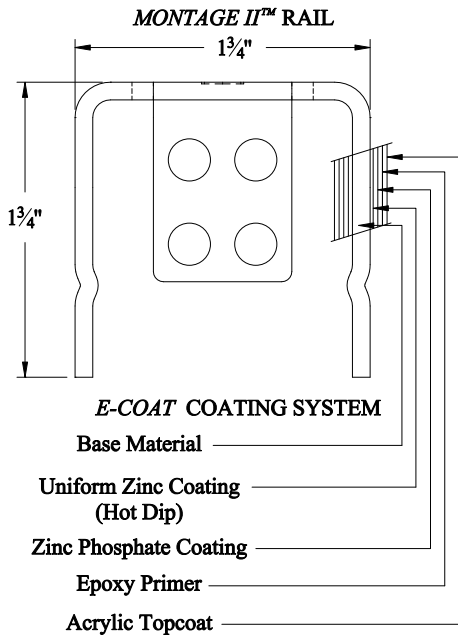
Welded panel can be raked 30" over 8' with arrow pointing down grade.



PROFUSION™ WELDING PROCESS

No exposed welds, Good Neighbor profile - Same appearance on both sides

MONTAGE II™ RAIL
Specially formed high strength architectural shape.



HEAVY INDUSTRIAL STRENGTH WELDED STEEL PANEL
PRE-ASSEMBLED

2HMISO

Title: **MONTAGE II MAJESTIC 2/3/4-RAIL**

DR: RTM SH. 1 of 1 SCALE: DO NOT SCALE

CK: ME Date 5/30/08 REV: a



AMERISTAR®

1555 N. Mingo
Tulsa, OK 74116
1-888-333-3422
www.ameristarfence.com