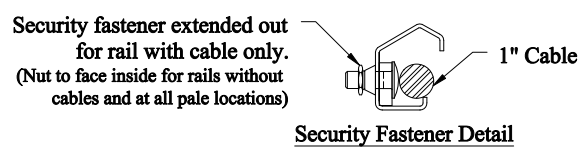
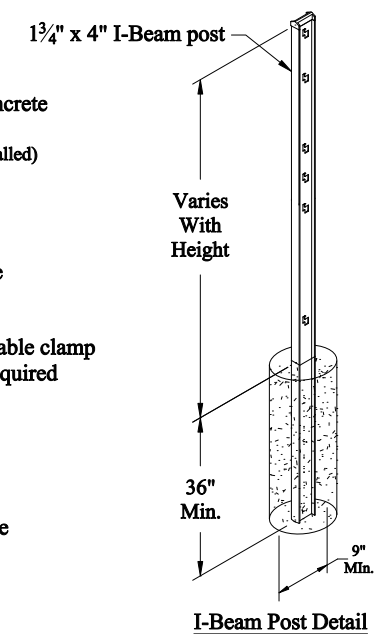
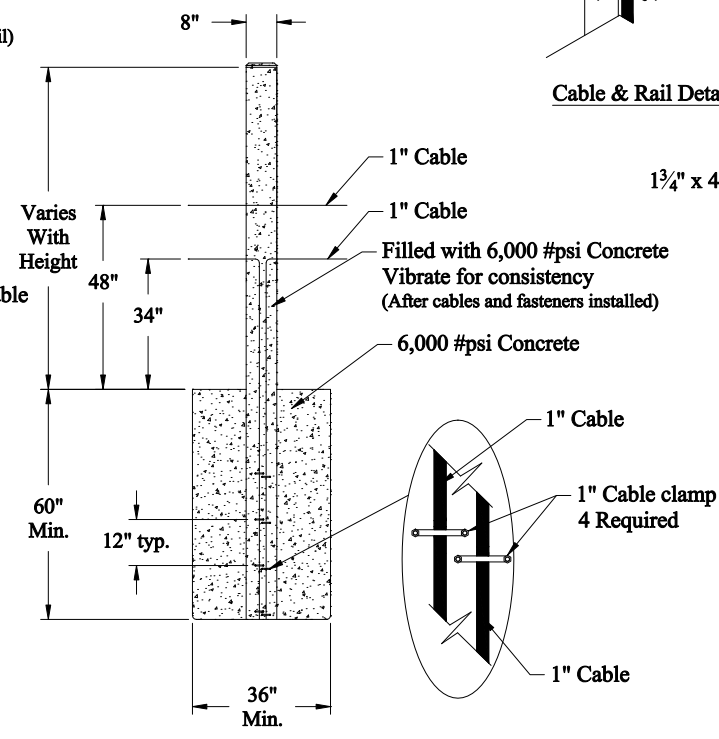
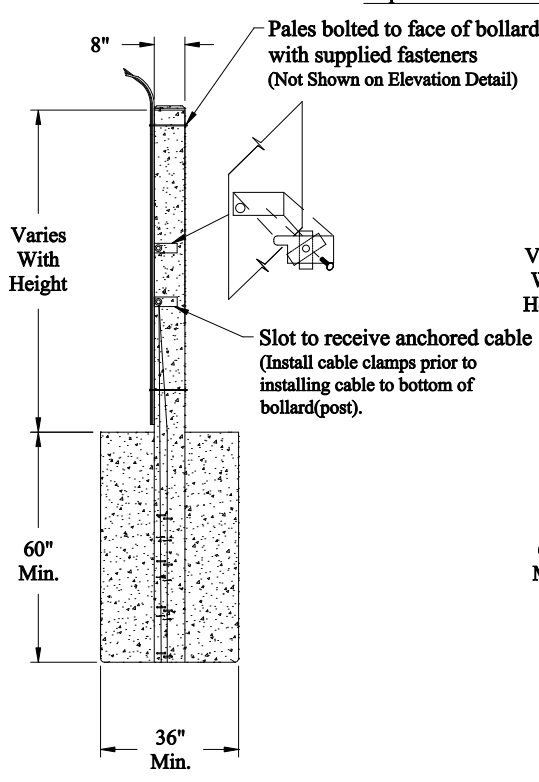
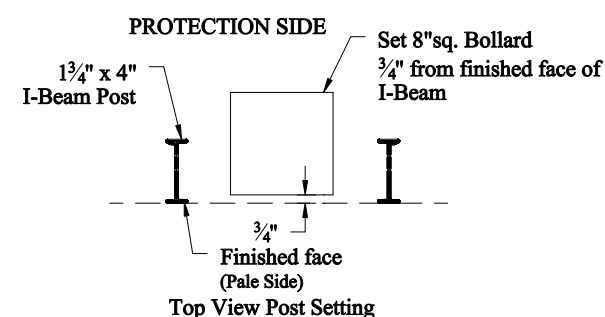
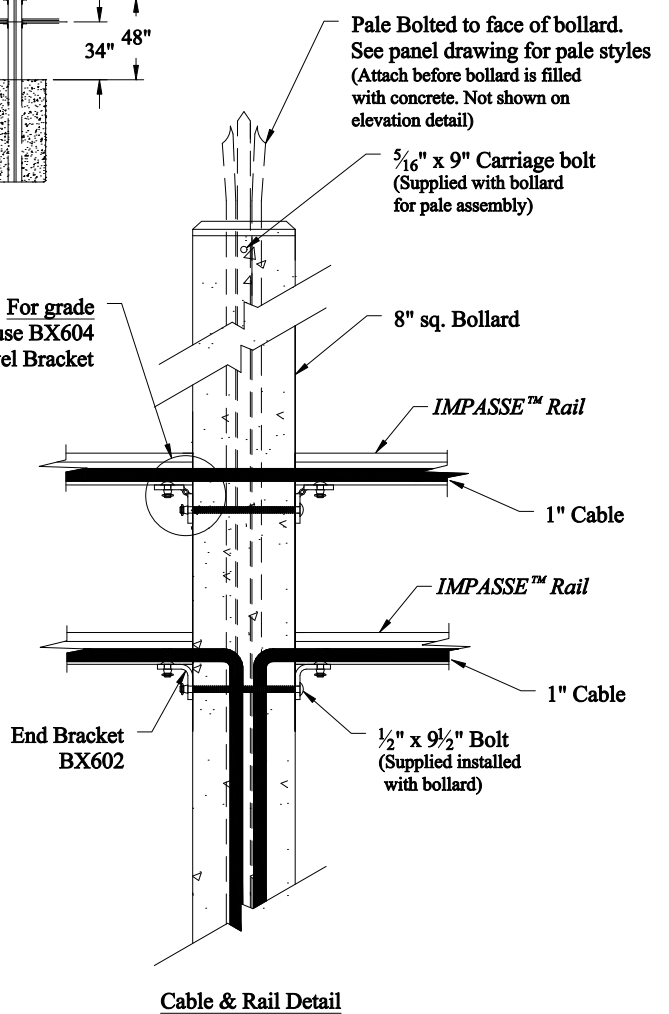


NOTE: See Stalwart panel drawings for details of pickets and Pales



NOTE: For grade change use BX604 Swivel Bracket



Stalwart™ M40 (K8) Anti-Ram High Security Cabled Steel Barrier
 Note: Meets ASTM F2656, Designation M40 & SD-STD-02.01-A, Designation K8

Title: STALWART - K8 INSTALLATION DIAGRAM			
DR: RTM	SH. 1 of 1	SCALE: DO NOT SCALE	
CK:	Date 06/29/08	REV: b	



1555 N. Mingo
 Tulsa, OK 74116
 1-888-333-3422
 www.ameristarfence.com