

NOTES:

- 1.) Post size depends on fence height and wind loads. See *ECHELON PLUS™* post sizing chart.
- 2.) Panels also available for 6' on center post spacing
- 3.) Additional heights available on request. Some heights noted require a third and/or fourth rail.
- 4.) Third and Fourth rail optional.



Ring
Adornment Options

PANEL BRACKET

Boulevard design makes stronger rail to post connection by wrapping completely around bracket

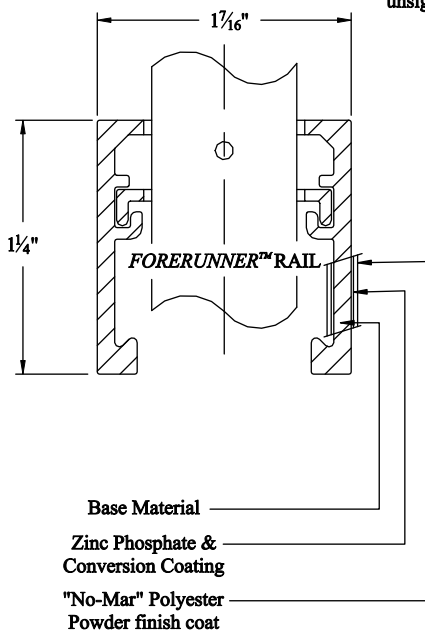
INTERNAL RETAINING ROD

Variable pitch connection system for ease of installation, high angle bias ability and elimination of unsightly external fasteners.

REINFORCED POST

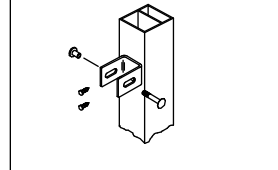
Internal rib increases against wind loading as well as other horizontally applied forces (Only on 2 1/2" aluminum posts).

OPTIONAL FLAT MOUNT BRACKET



INTERIOR GUIDE CHANNEL
Channel forms lower limit of raceway for retaining rod and allows for high angle bias ability.

FORERUNNER™ RAIL
"U"-Channel specially formed high strength architectural shape.



Title: **ECHELON PLUS WARRIOR 2/3/4-RAIL**

DR: CI	SH . 1 of 1	SCALE: DO NOT SCALE
CK: PB	Date 5/12/09	REV: a



AMERISTAR®

1555 N. Mingo
Tulsa, OK 74116
1-888-333-3422
www.ameristarfence.com