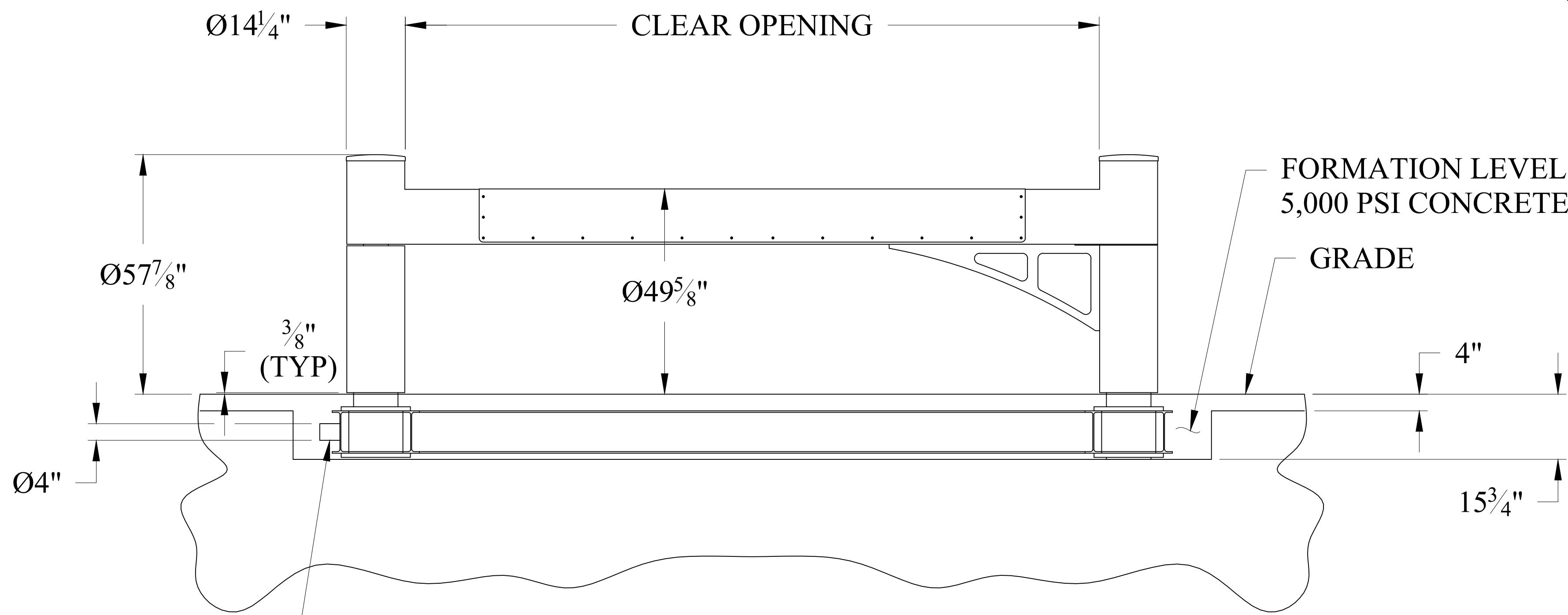


TOP VIEW



ELEVATION VIEW

4" LONG CONDUIT CONNECTION FOR HYDRAULICS

FORMATION LEVEL (15-3/4")
5,000 PSI CONCRETE

GRADE

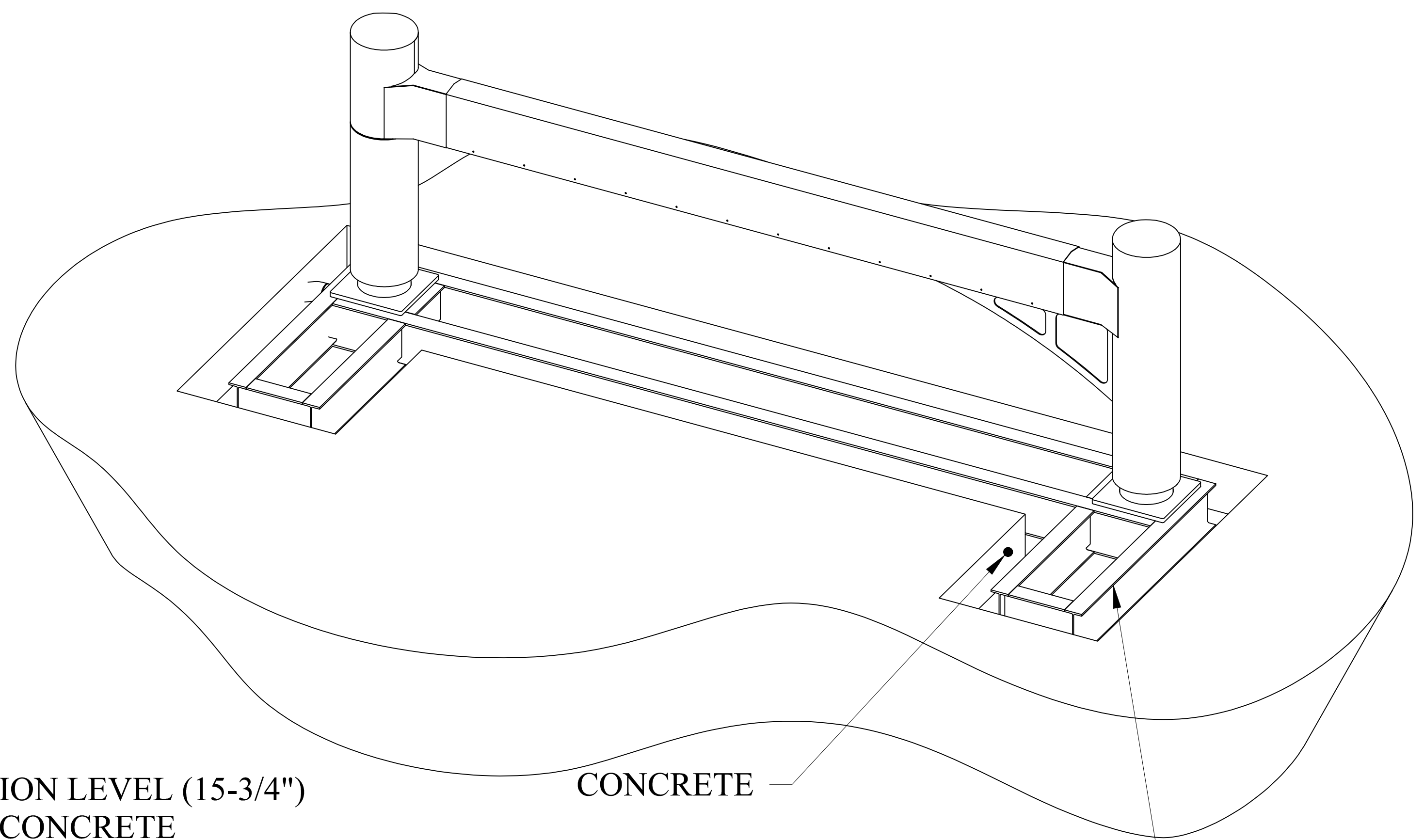
CONCRETE

OVERALL EXCAVATION

GATE FRAME BEAMS

NOTES:

1. SURFACE FINISH: 4" THICK
2. DEPTH OF EXCAVATION: 15-3/4"
3. CONCRETE: 5,000 PSI



Unless Noted Otherwise				PROPRIETARY INFORMATION		1555 N. Mingo Tulsa, OK 74116 1-888-333-3422 www.ameristarfence.com	
.x	Decimal	± .040	DO NOT SCALE	This drawing is the proprietary property of AMERISTAR, Tulsa, OK and must not be duplicated or used in whole or in part for the making of drawings, prints or parts to the detriment of, or harm to, the owner. In accepting this drawing, the recipient agrees to keep the information contained confidential.			
.xx	Decimal	± .030	OFF DRAWING				
.xxx	Decimal	± .020					
.xxxx	Decimal	± .010	Angular ± 0.5°				
REVISION HISTORY							
REV	ECN	AUTHOR	DATE	DESCRIPTION			
B		DM	06/17/16	ADDED POST HEIGHT & WIDTH DIMS			
				TITLE: CITYSCAPE FOUNDATION DRAWING		SHEET: 1 of 1	
				DATE: 01/14/16		REV: B	
				DRN BY: DM		DRAWING NO: CITYSCAPE FOUNDATION DRAWING	